

Minimum 90°C wire required. Warning: To reduce risk of electric shock, always open or disconnect circuit from power-distribution system (or service) of building before installing or servicing current transformers.

Warning: To reduce risk of electric shock, always open or disconnect circuit from power-distribution system (or service) before opening Split Core current transformers. The current sensors may not be installed in a panel where they

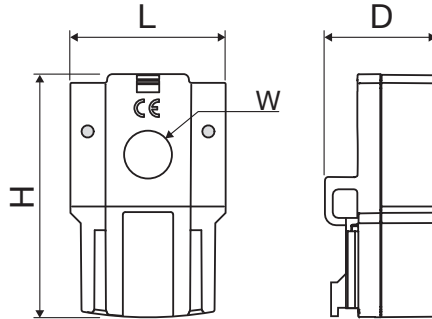
exceed 75% of the wiring space of any cross-sectional area within the panel. Restrict installation of current transformer in an area of breaker arc venting. Not suitable for Class 2 wiring methods and Not intended for connection


to Class 2 equipment. Secure current transformer and route conductors so that the conductors do not directly contact live terminals or bus. Wiring of the current transformers shall be maintained within the same end-product enclosure. Sensors must be enclosed in an NRTL certified electrical/fire enclosure, listed Industrial Control Panel Equipment, or similar equipment.

Only TE-18 and adapter 5A current transformers are UL 61010-1, UL 61010-2-030, E257746 compliant. Intended use/location: indoor Measurement category: III.

Dimensions in/mm

	LxHxD	W
Adapter 5A	1.10 x 0.79 x 1.77 28 x 20 x 45	∅ 0.33 ∅ 8.4



1  Do not apply around or remove from UNINSULATED HAZARDOUS LIVE conductors, which may render electric shock, electric burn, or arc flash.

