



SUPERIOR

Unrivalled power
performance

DELPHYS GP

Green Power 2.0 range

160 to 1000 kVA/kW



socomec
Innovative Power Solutions

OBJECTIVES

The aim of these specifications is to provide:

- the information required to choose the right uninterruptible power supply for a specific application.
- the information required to prepare the system and installation site.

The specifications are intended for:

- installation engineers.
- design engineers.
- engineering consultants.

INSTALLATION REQUIREMENTS AND PROTECTION

Connection to the mains power supply and to the load(s) must be made using cables of suitable size, in accordance with current standards. If not already present, an electrical control station which can isolate the network upstream of the UPS must be installed. This electrical control station must be equipped with a circuit breaker (or two, if there is a separate bypass line) of an appropriate rating for the power draw at full load.

If an external manual bypass is required, only the model supplied by the manufacturer must be installed.

We recommend fitting two metres of unanchored flexible cable between the UPS output terminals and the cable anchor (wall or cabinet). This makes it possible to move and service the UPS.

For detailed information, see the installation and operating manual.

1. ARCHITECTURE

1.1 RANGE

DELPHYS GP is a full range of high performing Green Power 2.0 UPS designed to:

- ensure 24/7/365 availability and business continuity to datacentre infrastructures,
- to avoid data losses and downtime of company operations,
- to reduce the electrical infrastructure's total cost of ownership,
- to adopt a sustainable development approach.

GREEN POWER 2.0									
Rated power (kVA)	160	200	250	300	400	500	600	800	1000
DELPHYS GP 3/3	•	•	•	•	•	•	•	•	•

Matrix table for model and kVA power rating

DELPHYS GP has been specifically designed to meet the demands of loads in specific application contexts, in order to optimise the features of the product and to facilitate its integration within the system.

2. FLEXIBILITY

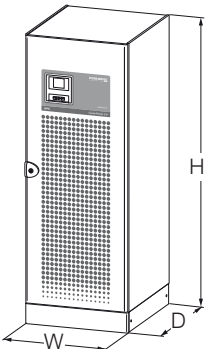
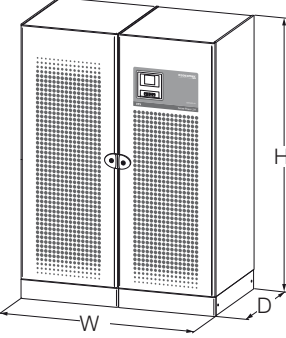
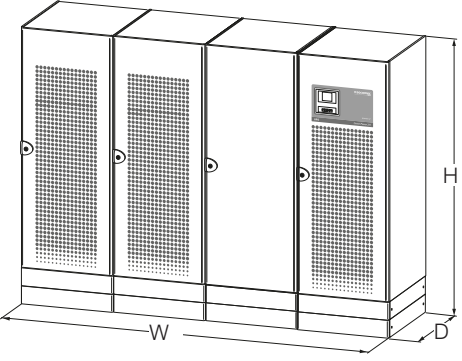
2.1 POWER RATINGS FROM 160 TO 1000 kVA/kW

The equipment has been designed with a minimum direct and indirect footprint (the actual space occupied by the unit and the space required around it for maintenance, ventilation and access to the operating mechanisms and communication devices).

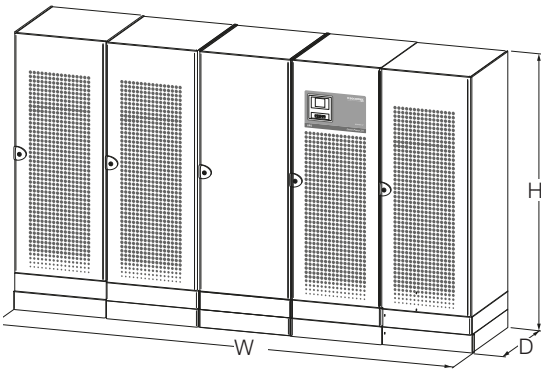
The careful design also provides easy access for maintenance and installation.

All of the control mechanisms and communication interfaces are located in the front side and can be accessed from a door provided with handle and lock.

The air inlet is on the front, with outflow from the upper side; this means other equipment or external battery enclosures can be placed alongside the UPS unit.

DELPHYS GP - Dimensions				
		Width (W) [mm]	Depth (D) [mm]	Height (H) [mm]
	160 kVA/kW	700	800	1930
	200 kVA/kW			
	250 kVA/kW	1000	950	1930
	300 kVA/kW			
	400 kVA/kW	1400	800	
	500 kVA/kW	1600	950	
	600 kVA/kW	2810	950	2060

DELPHYS GP - Dimensions

	Width (W) [mm]	Depth (D) [mm]	Height (H) [mm]
	800 kVA/kW	3510	950
	1000 kVA/kW	3910	

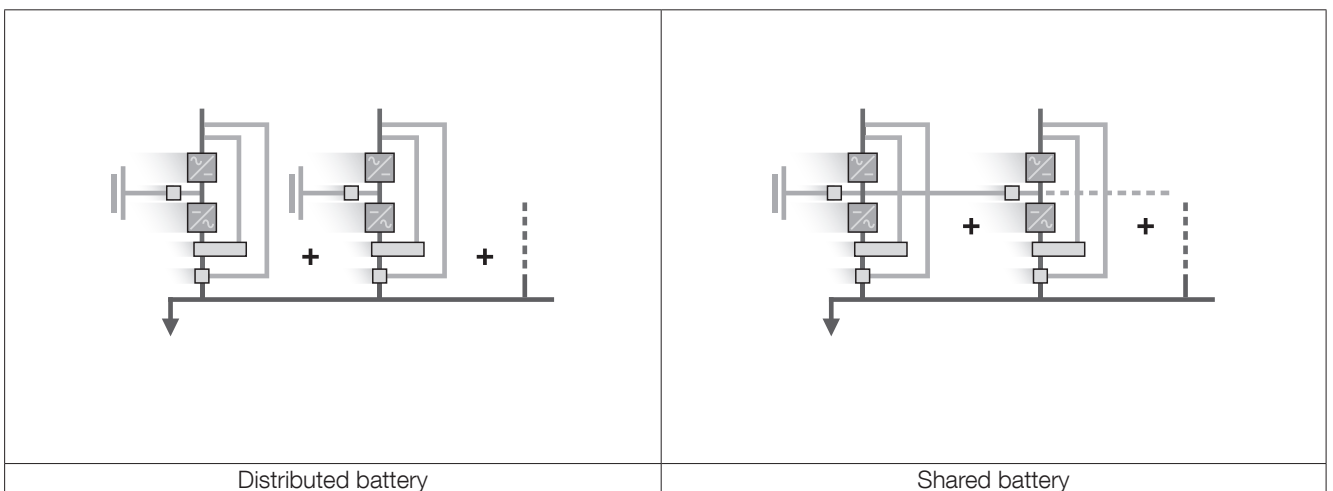
DELPHYS GP
160 to 1000 kVA/kW

2.2 BATTERY MANAGEMENT

Available with distributed batteries, DELPHYS GP allows to optimise the batteries size thanks to a shared battery operation. This reduces the overall system footprint, the weight of the required batteries, the battery monitoring system, the amount of wiring needed and the amount of lead.

To guarantee maximum back-up time availability and battery life, DELPHYS GP includes:

- EBS (Expert Battery System), smart battery charging management.
- Distributed or shared battery for energy storage optimization on parallel systems.
- Capability to discharge the battery at a programmable power (“BCR” option), without any load bank and keeping the load protected by online double conversion.



2.3 UPS AND SYSTEM ARCHITECTURES

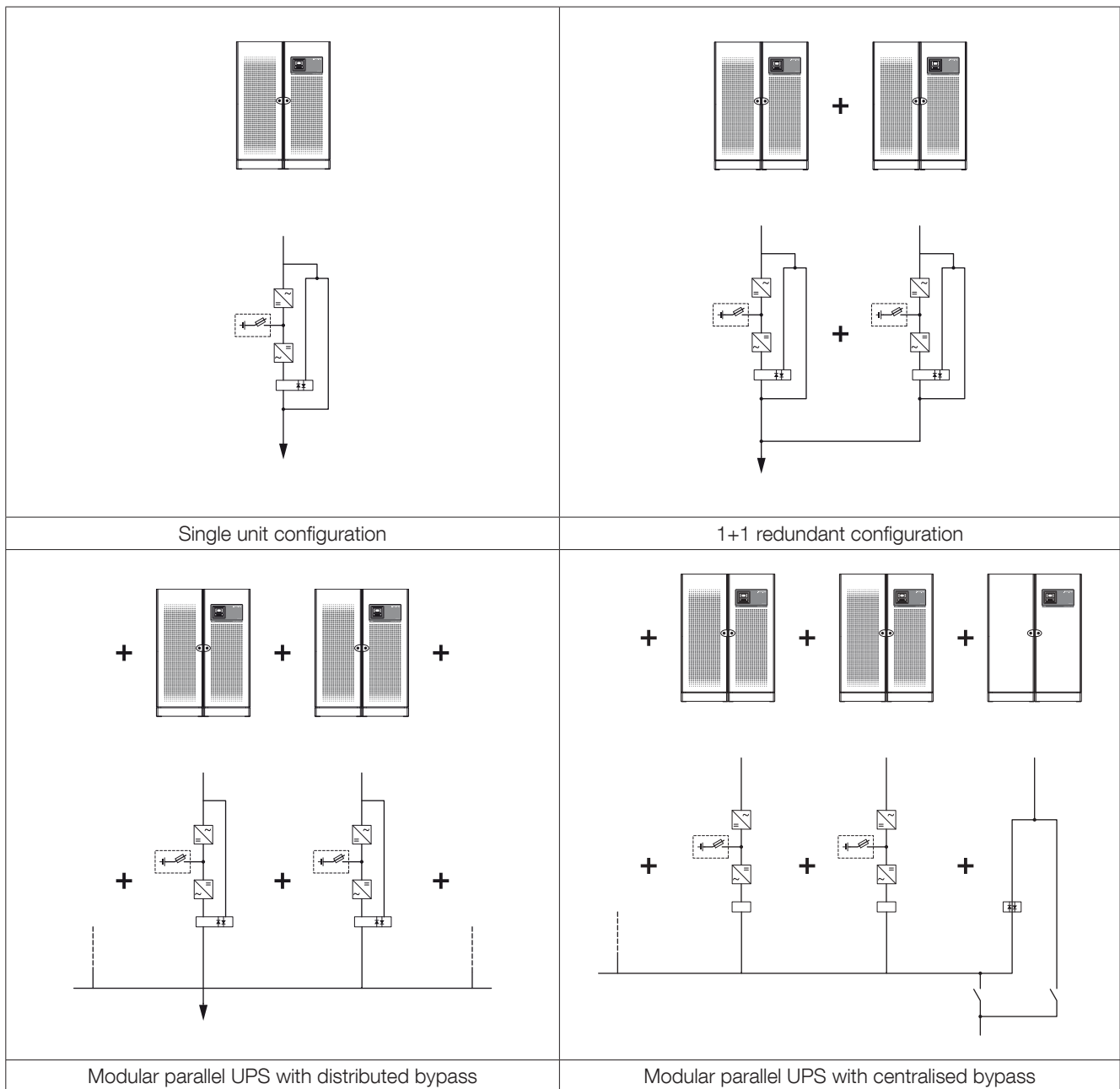
DELPHYS GP units (rectifier, battery, inverter and bypass) can be connected in parallel with distributed or central bypass:

- up to 8 units (160, 200, 250, 300 and 500 kVA/kW)
- up to 6 units (400 kVA/kW)
- up to 4 units (600 and 1000 kVA/kW)
- up to 3 units (800 kVA/kW)

This solution, which is ideally suited for N+1 redundancy, offers flexible power upgrading and enables stand-alone UPS units to be expanded.

Each single UPS unit has a built-in maintenance bypass (single unit or 1+1 distributed bypass).

It is possible to add an external maintenance bypass, common to all of the UPS units, for maintenance access. A central bypass configuration has a common maintenance bypass for the complete system.



3. STANDARD AND OPTIONS

3.1 STANDARD ELECTRICAL FEATURES.

- Integrated maintenance bypass (single and 1+1 redundant units).
- Backfeed protection: detection circuit.
- EBS (Expert Battery System) for battery management.
- Redundant cooling.
- Battery temperature sensor.

3.2 ELECTRICAL OPTIONS.

- Separated or common input mains.
- External maintenance bypass.
- Extended battery charger capability.
- Shared battery.
- Lithium batteries.
- Galvanic isolation transformer.
- Backfeed isolation device.
- ACS synchronisation system.
- BCR (Battery Capacity Re-injection).
- FAST ECOMODE.

3.3 STANDARD COMMUNICATION FEATURES.

- User-friendly 7" touch-screen multilingual color graphic display.
- 2 Com-Slots for communication options.
- USB port to download UPS report and log file.
- Ethernet port for service purpose.

3.4 COMMUNICATION OPTIONS.

- Dry-contact interface (configurable voltage-free contacts).
- MODBUS RTU RS485 or TCP.
- PROFIBUS / PROFINET gateway.
- BACnet/IP interface.
- NET VISION: professional WEB/SNMP Ethernet interface for secure UPS monitoring and remote automatic shutdown.
- NET VISION EMD: Environment Temperature and Humidity sensor with 2 inputs.
- Remote View Pro supervision software.
- IoT Gateway for Socomec cloud services and SoLive mobile app.
- Remote touch-screen panel.
- Additional Com-Slot extension.

3.5 REMOTE MONITORING AND CLOUD SERVICES.

- SoLink: Socomec 24/7 Remote Monitoring Service connecting your installation to the nearest Socomec Service Centre.
- SoLive: Mobile app taking the surveillance of all your UPS systems into your smartphone.

4. INSTALLATION PARAMETERS

Installation parameters										
Rated power (kVA)	160	200	250	300	400	500	600	800	1000	
Phase in/out	3/3									
Active power (kW)	160	200	250	300	400	500	600	800	1000	
Rated/maximum rectifier input current (A)	244/290	305/340	380/425	455/520	610/680	760/850	916/1020	1220/1360	1520/1700	
Rated bypass input current (A)	231	289	361	433	578	722	866	1155	1444	
Inverter output current @ 230 V (A) P/N	231	289	361	433	578	722	866	1155	1444	
Maximum air flow (m ³ /h)	2250		2700		4500	5400	6750	9000	10800	
Sound level (dBA)	≤ 65	≤ 67	≤ 70			≤ 72		≤ 73	≤ 74	
Power dissipation in nominal conditions ⁽¹⁾	W	7900	10400	12800	15200	22000	24300	33600	43000	54675
	kcal/h	6797	8948	11013	13078	18929	20908	28890	36970	47020
	BTU/h	26956	35486	43675	51864	75066	82914	114650	146720	217060
Power dissipation (max) in the worst conditions ⁽²⁾	W	10000	13000	15000	18000	26000	30000	42000	53800	66000
	kcal/h	8604	11185	12906	15490	22370	25812	36100	46260	56760
	BTU/h	34121	44358	51182	61420	88716	102364	143310	183570	262020
Dimensions	W mm	700		1000		1400	1600	2810	3510	3910
	D mm	800		950		800	950	950		
	H mm	1930						2060		
Weight (kg)	470	490	850	900	1000	1500	2300	2800	3800	

1) Considering nominal input current (400 V, battery charged) and rated output active power (PF1).

2) Considering maximum input current (low input voltage, battery recharge) and rated output active power (PF1).

4.1 ELECTRICAL CHARACTERISTICS

Electrical characteristics - Rectifier ⁽¹⁾ Input										
Rated power (kVA)	160	200	250	300	400	500	600	800	1000	
Rated mains supply voltage (V)	400 3ph									
Voltage tolerance	200 V to 480 V ⁽²⁾									
Rated frequency	50/60 Hz									
Frequency tolerance	42 to 65 Hz									
Power factor	> 0.99									
Total harmonic distortion (THDi) (at full load and rated voltage)	< 2.5% ⁽³⁾									
Max inrush current at start-up	< I _n (no overcurrent)									
Soft start A/sec (settable)	50				100		150	200		

1) IGBT rectifier.

2) Conditions apply.

3) With input THDV < 1%.

Electrical characteristics - Battery									
Rated power (kVA)	160	200	250	300	400	500	600	800	1000
Min/Max number of battery cells with load PF=1 ⁽¹⁾	216/258	258/258	252/258	258/258	258/258	252/258	258/258	258/258	252/258
Min/Max number of battery cells with load PF ≤ 0,9 ⁽¹⁾	216/258	234/258	234/258	252/258	234/258	234/258	252/258	234/258	234/258
Min/Max number of battery cells with load PF ≤ 0,8 ⁽¹⁾	216/258	216/258	216/258	234/258	216/258	216/258	234/258	216/258	216/258
Battery AC ripple current	< 3% C10								
Battery AC ripple voltage	< 1% on the battery bloc								

Electrical characteristics - Bypass									
Rated power (kVA)	160	200	250	300	400	500	600	800	1000
Bypass frequency variation speed	1.5 Hz/s settable from 1 to 3 Hz/s								
Bypass rated voltage	Nominal output voltage ±15% (settable)								
Bypass rated frequency	50/60 Hz (selectable)								
Bypass frequency tolerance	±2% (from ±1% to ±8% (operation with generator unit))								

Electrical characteristics - Inverter										
Rated power (kVA)	160	200	250	300	400	500	600	800	1000	
Rated output voltage (selectable) (V)	400 3ph + N (380/415 configurable)									
Output voltage tolerance	static load ±1%, dynamic load VFI-SS-111 compliant									
Rated output frequency (Hz)	50/60 Hz (selectable)									
Autonomous frequency tolerance	±0.02% on mains power failure									
Load crest factor	3:1									
Harmonic voltage distortion	ThdU ≤ 1,5 % with rated linear load									
Overload tolerated by the inverter - 25 °C	10 min	200 kW	225 kW	280 kW	337 kW	450 kW	560 kW	675 kW	900 kW	1120 kW
	1 min	240 kW	270 kW	312 kW	405 kW	540 kW	625 kW	810 kW	1080 kW	1250 kW

Electrical characteristics - Efficiency									
Rated power (kVA)	160	200	250	300	400	500	600	800	1000
Double conversion efficiency (normal mode - VFI)	up to 96%								
Fast EcoMode	up to 99%								

Electrical characteristics - Environment									
Rated power (kVA)	160	200	250	300	400	500	600	800	1000
UPS storage conditions	-20 to +70 °C under ≤70% condensation free RH ⁽²⁾								
UPS working conditions	0 to +40 °C under ≤95% condensation free RH ⁽¹⁾⁽²⁾								
Maximum altitude without derating	1000 m (3,300 ft)								
Degree of protection	IP 20 (other IP as option)								
Portability	EN 60068-2								
Colour	cabinet: RAL 7012, door: silver grey								

1) Conditions apply.

2) 10°C minimum to start the UPS. 15 to 25 °C suggested for the associated battery.

4.2 RECOMMENDED PROTECTIONS

RECOMMENDED PROTECTION DEVICES - Rectifier ⁽¹⁾									
Rated power (kVA)	160	200	250	300	400	500	600	800	1000
Circuit breaker (A)	315	400	630		800	1000	1250	1600	2000
gG fuse (A)	315	400	630		800	1000	1250	1600	2000

RECOMMENDED PROTECTION DEVICES - General bypass ⁽¹⁾									
Rated power (kVA)	160	200	250	300	400	500	600	800	1000
Semiconductors characteristics	I ² t (A ² s)	320000			780000	1050000	1750000	3100000	2700000
	Is/c (A peak)	8000			12500	14500	18700	25000	23000
Circuit breaker (A)	400		630		800		1000	1250	1600

RECOMMENDED PROTECTION DEVICES - Input residual current circuit breaker ⁽²⁾									
Rated power (kVA)	160	200	250	300	400	500	600	800	1000
Phase in/out	3/3								
Input residual current circuit breaker	3 A								

RECOMMENDED PROTECTION DEVICES - Output ⁽³⁾									
Rated power (kVA)	160	200	250	300	400	500	600	800	1000
Short-circuit inverter current Ik1=Ik2=Ik3 ⁽⁴⁾ (A) - (0 to 100 ms) (when AUX MAINS is not present)	760		900	1100	1500	1800	2200	3000	3600
C curve circuit breaker (A)	≤ 63		≤ 80	≤ 100	≤ 160		≤ 200	≤ 250	≤ 300
B curve circuit breaker (A)	≤ 125		-						

CABLES CONNECTION - Maximum capability per pole									
Rated power (kVA)	160	200	250	300	400	500	600	800	1000
Rectifier terminals (mm ²)	2 x 150		2 x 240		3 x 300		4 x 300		
Bypass terminals (mm ²)	2 x 150		2 x 240		3 x 300		4 x 300		
Battery terminals (mm ²)	2 x 240		2 x 240		2 x 300	3 x 300	4 x 300		
Output terminals (mm ²)	2 x 150		2 x 240		3 x 300		4 x 300		

1) Rectifier protection should only be considered in the event of separate inputs. The bypass protection is given by recommendation. When the bypass and rectifier inputs are combined (common input), the general input protection rating must be the highest of both (bypass or rectifier).

2) Must be selective with residual current circuit breakers connected downstream of the UPS. If the bypass network is separate from the rectifier circuit, or in the event of parallel UPS, use a single residual current circuit breaker upstream of the UPS.

3) Selectivity of distribution after the UPS with inverter short-circuit current (short-circuit with AUX MAINS not present). The rating of the protection can be increased by "n" times downstream a parallel UPS system, with "n" equal to the number of parallel modules.

4) Ik1: phase to neutral, Ik2: phase to phase, Ik3: three-phase to neutral.

5. REFERENCE STANDARDS AND DIRECTIVES

5.1 OVERVIEW

The equipment, installed, used and serviced in accordance with its intended use, its regulations and standards, its manufacturer instructions and rules, is in compliance with the relevant Union harmonisation legislation:

LVD 2014 / 35 / EU

DIRECTIVE 2014/35/EU OF THE EUROPEAN PARLIAMENT AND OF THE COUNCIL of 26 February 2014, on the harmonisation of the laws of the Member States relating to the making available on the market of electrical equipment designed for use within certain voltage limits.

EMC 2014 / 30 / EU

DIRECTIVE 2014/30/EU OF THE EUROPEAN PARLIAMENT AND OF THE COUNCIL of 26 February 2014, on the harmonisation of the laws of the Member States relating to electromagnetic compatibility.

RoHS 2011/65/EU

Directive 2011/65 of the European parliament and of the council of 8 June 2011 on the restriction of the use of certain hazardous substances in electrical and electronic equipment

5.2 STANDARDS

5.2.1 SAFETY

EN 62040-1 Uninterruptible Power System (UPS) - Part 1: General and safety requirements

IEC 62040-1 Uninterruptible Power System (UPS) - Part 1: Safety requirements

5.2.2 ELECTROMAGNETIC COMPATIBILITY

EN 62040-2 Uninterruptible Power System (UPS) - Part 2: Electromagnetic compatibility (EMC) requirements

IEC 62040-2 Uninterruptible Power System (UPS) - Part 2: Electromagnetic compatibility (EMC) requirements

5.2.3 ENVIRONMENTAL

IEC 62040-4 Uninterruptible Power System (UPS) - Part 4: Environmental aspects - Requirements and reporting

5.3 SYSTEM AND INSTALLATION GUIDELINES

When carrying out electrical installation, all the above standards must be observed. All national and international standards (e.g IEC60364) applicable to the specific electrical installation including batteries must be observed. For further information refer to 'Technical specifications' chapter in the user manual.



ELITE UPS: a mark of efficiency

Socomec, as CEMEP UPS manufacturer member, has signed a Code of Conduct put forward by the Joint Research Centre of the European Commission (JRC), to ensure the protection of critical applications and processes ensuring 24/7 continuous high quality supply. The JRC commits to mitigating energy losses and gas emissions caused by UPS equipment, therefore maximising UPS efficiency.

