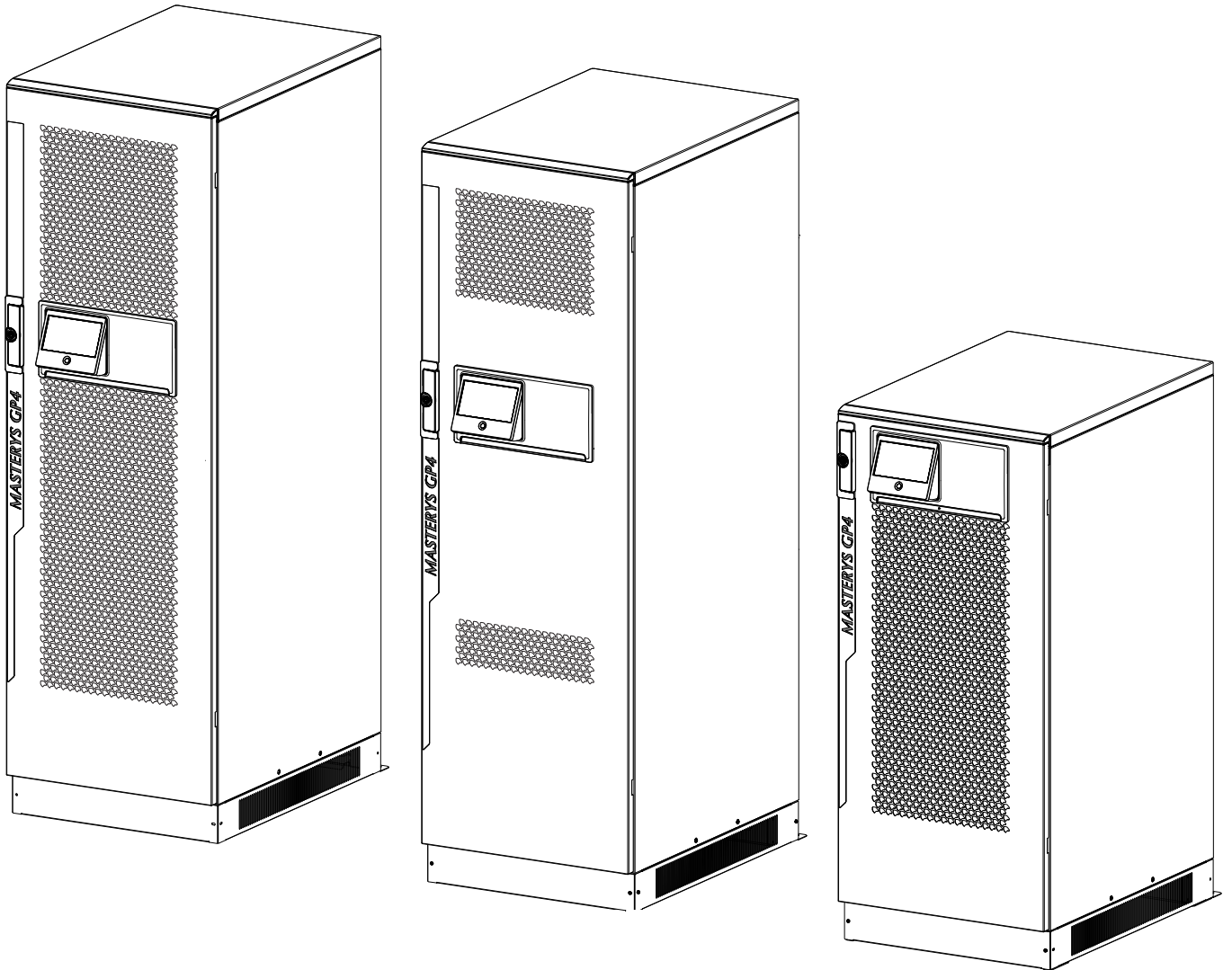


# ***MASTERYS GP4***

60-160 kVA



## Available installation tutoring mobile app

Discover **eWIRE**



Free download from



*Ask your Socomec dealer for your activation code. Visit us at [www.socomec.com](http://www.socomec.com) for more info. (tool page).*

*This Application is meant to support the User when installing the relevant SOCOMEC products in tutoring the installation step by step. The Application shall in no way substitute the installation and user manual provided with this SOCOMEC product, which remains the sole accurate instructions in terms of safety, handling, connection and use of SOCOMEC products.*

# CONTENTS

|  |           |
|--|-----------|
| <b>1. CERTIFICATE AND CONDITIONS OF WARRANTY</b>                               | <b>5</b>  |
| <b>2. SAFETY STANDARDS</b>   | <b>6</b>  |
| 2.1 DESCRIPTION OF SYMBOLS   | 8         |
| <b>3. ENVIRONMENTAL REQUIREMENTS AND HANDLING</b>                              | <b>9</b>  |
| 3.1 ENVIRONMENTAL REQUIREMENTS   | 9         |
| 3.2 HANDLING   | 10        |
| <b>4. ELECTRICAL INSTALLATION</b>  | <b>13</b> |
| 4.1 UPS SINGLE CONFIGURATION   | 13        |
| 4.1.1 MAINS AND AUXILIARY MAINS CONNECTED SEPARATELY (with external batteries) | 13        |
| 4.1.2 MAINS AND AUXILIARY MAINS CONNECTED SEPARATELY (with internal batteries) | 13        |
| 4.2 UPS PARALLEL CONFIGURATION   | 14        |
| 4.2.1 MAINS AND AUXILIARY MAINS CONNECTED SEPARATELY (with external batteries) | 14        |
| 4.2.2 PARALLEL SETUP RULES   | 15        |
| 4.2.3 CONTROL CONNECTIONS  | 15        |
| 4.3 ELECTRICAL REQUIREMENTS  | 16        |
| 4.3.1 BACKFEED PROTECTION  | 18        |
| 4.4 CABLE POSITIONING  | 21        |
| <b>5. OVERVIEW</b>   | <b>22</b> |
| 5.1 RECOMMENDED CONFIGURATIONS   | 22        |
| 5.1.1 60-120 KVA WITH EXTERNAL BATTERY CABINET                                 | 22        |
| 5.1.2 160 KVA WITH EXTERNAL BATTERY CABINET                                    | 23        |
| 5.2 FRONT VIEW   | 24        |
| 5.3 UPS SWITCHES   | 25        |
| 5.4 WIRING DIAGRAM   | 27        |
| 5.5 INTERNAL FRONT VIEW DETAILS  | 28        |
| <b>6. CONNECTIONS</b>  | <b>29</b> |
| 6.1 UPS CONNECTION   | 30        |
| 6.1.1 EXTERNAL BATTERY CONNECTION  | 32        |
| 6.2 COMPLETION OF THE INSTALLATION   | 34        |
| <b>7. CONTROL PANEL</b>  | <b>35</b> |
| <b>8. DISPLAY OPERATION</b>  | <b>37</b> |
| 8.1 DISPLAY DESCRIPTION  | 37        |
| 8.2 MENU ARCHITECTURE  | 38        |
| 8.3 FUNCTIONING MODE   | 41        |
| 8.4 STATUS   | 41        |
| 8.4.1 STATUS PAGE  | 41        |
| 8.5 ALARMS MANAGEMENT  | 42        |
| 8.5.1 ALARM REPORT   | 42        |
| 8.5.2 ALARM POPUP  | 42        |
| 8.5.3 ALARM PAGE   | 42        |
| 8.6 SYNOPTIC ANIMATION   | 43        |
| 8.6.1 ADDITIONAL ICONS   | 47        |
| 8.7 EVENT LOG PAGE   | 47        |
| 8.8 MENU FUNCTION DESCRIPTIONS   | 48        |
| 8.8.1 ENTERING PASSWORDS   | 48        |
| 8.8.2 MONITORING MENU  | 48        |
| 8.8.3 EVENTS LOG MENU  | 48        |
| 8.8.4 MEASUREMENTS MENU  | 48        |
| 8.8.5 CONTROLS MENU  | 48        |
| 8.8.6 UPS CONFIGURATION MENU   | 49        |
| 8.8.7 USER PARAMETERS MENU   | 49        |
| 8.8.8 SERVICE MENU   | 49        |
| 8.9 ADDITIONAL USER FUNCTIONS  | 49        |
| 8.9.1 PHASE COLOR MODIFICATION   | 49        |
| <b>9. OPERATING PROCEDURES</b>   | <b>50</b> |
| 9.1 SWITCHING ON   | 50        |
| 9.2 SWITCHING OFF  | 50        |
| 9.3 BYPASS OPERATIONS  | 51        |
| 9.4 EXTENDED OUT OF SERVICE  | 52        |
| 9.5 EMERGENCY SHUTDOWN   | 52        |

|  |           |
|--|-----------|
| <b>10. OPERATING MODES</b>                               | <b>53</b> |
| 10.1 ON LINE MODE . . . . .                              | 53        |
| 10.2 HIGH EFFICIENCY MODE . . . . .                      | 53        |
| 10.3 CONVERTER MODE . . . . .                            | 54        |
| 10.4 OPERATION WITH MAINTENANCE BYPASS . . . . .         | 54        |
| 10.5 OPERATION WITH MOTOR GENERATOR (GENSET) . . . . .   | 54        |
| <b>11. STANDARD FEATURES AND OPTION</b>                  | <b>55</b> |
| 11.1 ADC+SL CARD . . . . .                               | 57        |
| 11.1.1 TEMPERATURE SENSOR . . . . .                      | 59        |
| 11.2 LIB-ADC CARD . . . . .                              | 60        |
| 11.3 NET VISION CARD . . . . .                           | 61        |
| 11.3.1 EMD . . . . .                                     | 61        |
| 11.4 ACS CARD . . . . .                                  | 61        |
| 11.5 MODBUS TCP CARD . . . . .                           | 61        |
| 11.6 BACNET CARD . . . . .                               | 61        |
| 11.7 REMOTE TOUCHSCREEN DISPLAY . . . . .                | 62        |
| 11.8 PROFIBUS PROTOCOL INTERFACE . . . . .               | 62        |
| 11.9 SOFTWARE OPTION . . . . .                           | 62        |
| 11.10 INTERNAL BACKFEED PROTECTION . . . . .             | 63        |
| 11.10.160-120 KVA . . . . .                              | 63        |
| 11.10.2160 KVA . . . . .                                 | 63        |
| 11.11 KIT FOR COMMON MAINS . . . . .                     | 65        |
| 11.12 EXTERNAL MAINTENANCE BYPASS . . . . .              | 66        |
| 11.13 EXTERNAL ISOLATION TRANSFORMER . . . . .           | 66        |
| 11.13.1IMD . . . . .                                     | 66        |
| 11.14 KIT FOR RECTIFIER NEUTRAL CREATION . . . . .       | 66        |
| 11.15 KIT FOR TN-C / NEUTRAL-GROUND CONNECTION . . . . . | 67        |
| 11.16 COLD START . . . . .                               | 68        |
| 11.17 REDUNDANT BYPASS VENTILATION . . . . .             | 69        |
| 11.18 ANTI-VERMIN PROTECTION . . . . .                   | 69        |
| 11.19 SEISMIC KIT . . . . .                              | 69        |
| 11.20 "T" CABINET . . . . .                              | 70        |
| 11.21 TOP AIR EXHAUST KIT . . . . .                      | 70        |
| 11.22 TOP ENTRY CABLES . . . . .                         | 70        |
| <b>12. TROUBLESHOOTING</b>                               | <b>71</b> |
| 12.1 SYSTEM ALARMS . . . . .                             | 71        |
| 12.2 SYSTEM STATUS . . . . .                             | 72        |
| <b>13. PREVENTIVE MAINTENANCE</b>                        | <b>73</b> |
| 13.1 BATTERIES . . . . .                                 | 73        |
| 13.2 FANS & CAPACITORS . . . . .                         | 73        |
| <b>14. SAFEGUARDING THE ENVIRONMENT</b>                  | <b>74</b> |
| <b>15. TECHNICAL SPECIFICATIONS</b>                      | <b>75</b> |

# 1. CERTIFICATE AND CONDITIONS OF WARRANTY

This SOCOMEC continuous power system is guaranteed against any manufacturing or material defects.

The warranty is valid for 12 (twelve) months from the commission date, provided activation is carried out by SOCOMEC personnel or personnel from a support centre authorised by SOCOMEC, and no more than 15 (fifteen) months from being shipped from SOCOMEC.

The warranty is valid throughout national territory. If the UPS is exported abroad, the warranty will only cover the parts used to repair faults.

The warranty is valid ex-works and covers labour and parts used to repair the faults.

The warranty shall not apply in the following cases:

- Failure due to unforeseen circumstances or force majeure (lightning, floods, etc.);
- Failure due to negligence or improper use (use outside limits: temperature, humidity, ventilation, electric power supply, applied load, batteries);
- Insufficient or inappropriate maintenance;
- When maintenance, repairs or modifications have not been carried out by SOCOMEC personnel, or personnel from a support centre authorised by SOCOMEC.
- If the battery has not been recharged in accordance with the terms indicated on the packaging and in the manual, in the event of long periods of storage or UPS inactivity.

SOCOMEC may, at its own discretion, opt for the repair of the product or the replacement of faulty or defective parts with new parts, or with used parts of equivalent quality to new parts with regard to function and performance.

Defective or faulty parts replaced free of charge must be made available to SOCOMEC, which becomes the sole owner.

Replacement or repair of parts, or any modifications to the product during the warranty period, will not extend the duration of the warranty.

SOCOMEC will not be responsible for damages under any circumstances (including, without limitations, damage for loss of earnings, interruption of activity, loss of information or other financial losses) arising from the use of the product.









SOCOMEC retains the full and exclusive ownership rights to this document. Only a personal entitlement to use the document for the application indicated by SOCOMEC is granted to the recipient of this document. The reproduction, modification, distribution of this document, either partially or wholly and in any manner, is strictly prohibited except upon Socomec's express prior written consent.

This document is not a specification. SOCOMEC reserves the right to make any changes to the information provided without prior notice.



## 2. SAFETY STANDARDS

This user manual specifies installation and maintenance procedures, technical data and safety instructions for SOCOMEC. For further information visit the Socomec website: [www.socomec.com](http://www.socomec.com).

|   |  |
|---|--|
|    | NOTE!<br>Before carrying out any operations on the unit read the installation and operating manual carefully. Keep this manual safe for future reference.  |
|    | NOTE!<br>Any work carried out on the equipment must be performed by skilled, qualified technicians.  |
|    | NOTE!<br>The models are not available for all markets. Contact Socomec for further information.  |
|    | DANGER!<br>Failure to observe safety standards could result in fatal accidents or serious injury, and damage equipment or the environment.   |
|    | CAUTION!<br>If the unit is found to be damaged externally or internally, or any of the accessories are damaged or missing, contact SOCOMEC. Do not operate the unit if it has suffered a violent mechanical shock of any kind.   |
|    | NOTE!<br>Install the unit in accordance with clearances in order to allow access to handling devices and guarantee sufficient ventilation (refer to 'Environmental requirements and handling' chapter).  |
|   | NOTE!<br>Only use accessories recommended or sold by the manufacturer.   |
|  | NOTE!<br>When the equipment is transferred from a cold to a warm place wait approx. two hours before putting the unit into operation.  |
|  | NOTE!<br>When carrying out electrical installation, all standards applicable specified by the IEC, in particular IEC 60364, and the electricity supplier must be observed. All national standards applicable to batteries must be observed. For further information refer to 'Technical specifications' chapter. |
|  | WARNING!<br>Connect the protective earth (PE) conductor before making any other connections.   |
|  | DANGER! RISK OF ELECTRIC SHOCK!<br>Before carrying out any operations on the unit (cleaning and maintenance performances, connection of appliances, etc.) disconnect all power sources.  |
|  | DANGER! RISK OF ELECTRIC SHOCK!<br>After disconnecting all power sources wait approx. 5 minutes for the complete discharge of the unit.  |
|  | NOTE!<br>The UPS may be powered from an IT distribution system with a neutral conductor.   |
|  | NOTE!<br>Installing the equipment correctly guarantees the IP20 protection level   |
|  | NOTE!<br>Any use other than the specified purpose will be considered improper. The manufacturer/ supplier shall not be held responsible for damage resulting from this. Risk and responsibility lies with the system manager.  |

|   |  |
|---|--|
|    | <p><b>CAUTION!</b><br/>A battery can present a risk of electrical shock and high short circuit current. The following precautions should be observed when working on batteries:</p> <ul style="list-style-type: none"> <li>- Remove watches, rings or metal objects.</li> <li>- Use tools with insulated handles.</li> <li>- Wear rubber gloves and boots.</li> <li>- Do not lay tools or metal parts on top of the batteries.</li> <li>- Disconnect the charging source prior to connecting or disconnecting battery terminals.</li> <li>- Determine if battery is inadvertently grounded. If inadvertently grounded, remove source from ground. Contact with any part of grounded battery can result in electrical shock. The likelihood of such shock can be reduced if such grounds are removed during installation and maintenance (applicable to equipment and remote battery supplies not having a grounded supply circuit).</li> </ul> |
|    | <p><b>CAUTION!</b><br/>Do not open or mutilate batteries. Released electrolyte is harmful to the skin and eyes. It may be toxic.</p>   |
|    | <p><b>CAUTION!</b><br/>Do not dispose of batteries in a fire. The batteries may explode.</p>   |
|    | <p><b>WARNING!</b><br/>Care shall be taken not to wear clothes and footwear which may build up electro- static charge. Absorbing cloth moistened only with water shall be used for battery cleaning. Other cleaning agents may result in built up of static charge or may damage the battery cases.</p>  |
|    | <p><b>NOTE!</b><br/>Only use accessories recommended or sold by the manufacturer.</p>  |
|   | <p><b>NOTE!</b><br/>Batteries must only be replaced with batteries recommended or sold by the manufacturer. Batteries must only be replaced by qualified technicians.</p>  |
|  | <p><b>NOTE!</b><br/>The product you have chosen is designed for commercial and industrial use only. In order to be used for particular critical applications such as life support systems, medical applications, commercial transportation, nuclear facilities or any other application or system where product failure is likely to cause substantial harm to people or property, the products may have to be adapted. For such uses we would advise you to contact SOCOMEC beforehand to confirm the ability of these products to meet the requested level of safety, performance, reliability and compliance with applicable laws, regulations and specifications.</p>  |
|  | <p><b>WARNING!</b><br/>This is a product for commercial and industrial application in the second environment installation restrictions or additional measures may be needed to prevent disturbances.</p>   |

Safety requirements for secondary batteries, battery installations and backfeed protection as well.

|   |  |
|---|--|
|  | <p>The installer is responsible for ensuring that the battery installation and their operating environment conform to national and international codes and safety standards.</p>   |
|  | <p>The installer is responsible for implementing the backfeed protection with the use of AC input line insulation devices external to the UPS and add the provided warning labels to all the mains power disconnecting switches installed at a distance from the UPS area; this serves to remind technicians of the fact that the circuit is connected to a UPS. Refer to 'Electrical requirements' chapter.</p> |

## 2.1 Description of symbols

| Symbols   | Description  |
|---|--|
|    | Protective earth terminal (PE).  |
|    | Authorized personnel only.<br>Only qualified personnel are permitted to work on the batteries.   |
|    | Do not use naked flames or cause sparks in the vicinity of the accumulators.   |
|    | No smoking.  |
|    | Batteries charging!<br>Batteries and related parts contain lead which is dangerous to health if ingested.<br>Wash hands after handling!                            |
|    | Accumulators are heavy!<br>Use suitable transport and lifting equipment to work safely.  |
|    | Risk of electric shock!<br>Connecting accumulators in series creates hazardous voltages.   |
|  | Risk of explosion! Avoid short circuits!<br>Never place tools or metal objects on the accumulators.  |
|  | Corrosive liquids (electrolyte).   |
|  | Read the user instructions carefully.<br>Read the user manual before performing any operations.  |
|  | Wear protective gloves   |
|  | Wear safety shoes.   |
|  | Wear protective goggles.   |
|  | In the event of accidents, improper use, failure or electrolyte leakage wear a protective apron.   |
|  | In the event of accidents, improper use, failure or electrolyte leakage wear a gas mask.   |
|  | In the event of contact with the eyes, wash immediately with plenty of water and call a doctor.<br>Call a doctor immediately in the event of accidents or illness. |
|  | Do not dispose of in normal waste stream (symbol waste electrical and electronic equipment).   |



# 3. ENVIRONMENTAL REQUIREMENTS AND HANDLING



**NOTE!**

Before carrying out any operations on the unit read the 'Safety standards' chapter carefully.

## 3.1 Environmental requirements

The room must be:

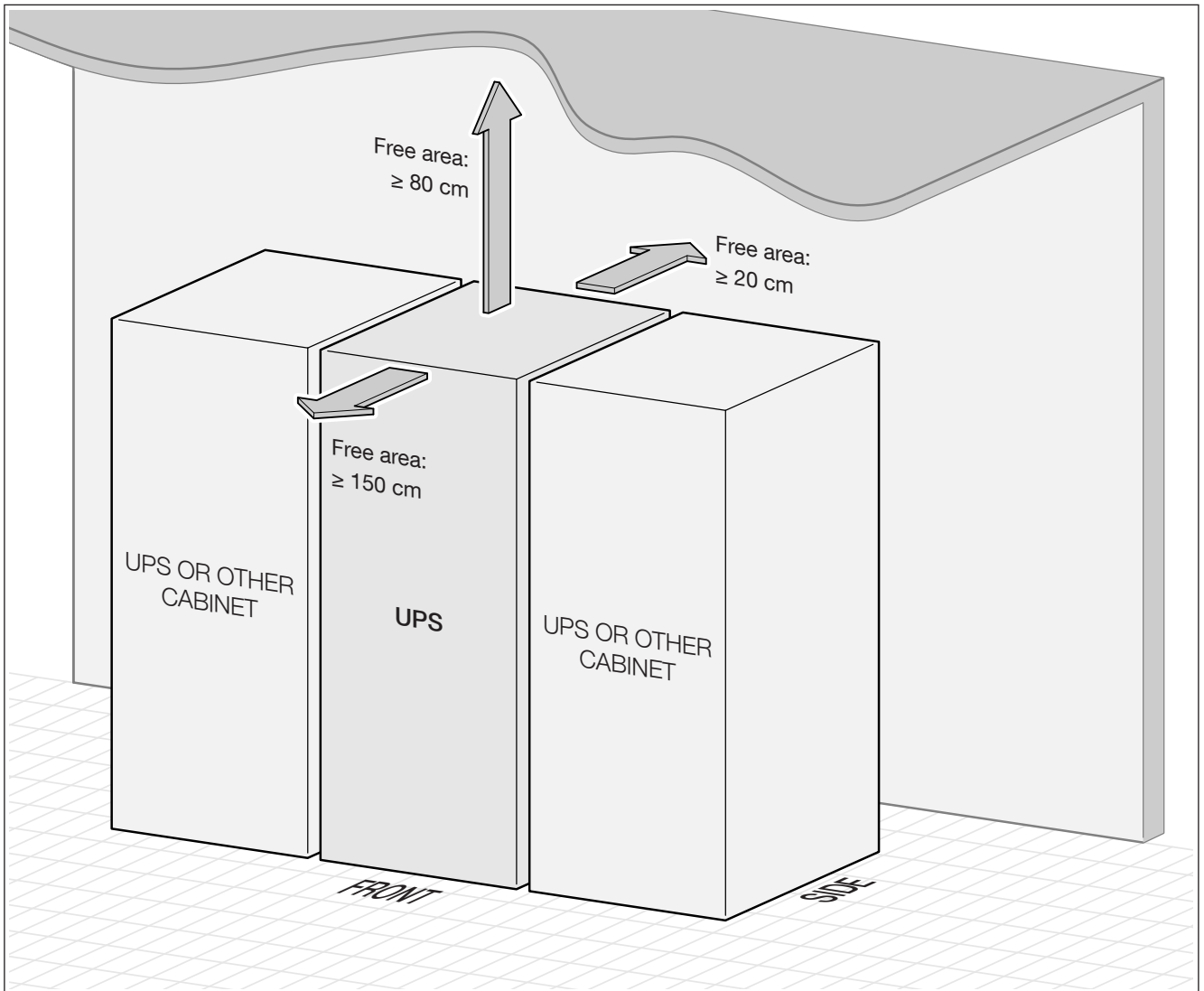
- of a suitable size
- free from conductive, inflammable and corrosive items;
- not exposed directly to sunlight.

The floor must support the weight of the unit and guarantee its stability. The unit is designed for indoor installation only.

### Room positioning






For information regarding ambient temperature, dimensions and weights refer to the 'Technical specifications' chapter. The connections need to be accessible from the rear; a space of at least 1.5 meters should be left at the front of the UPS for maintenance purposes. It is also advisable to ensure that cable connections are sufficiently long and flexible so that the unit can be extracted during maintenance, if necessary.

A space at least 20 cm must be left at the back for adequate ventilation (see figure).



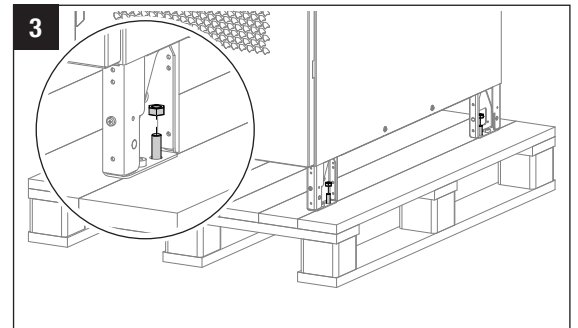
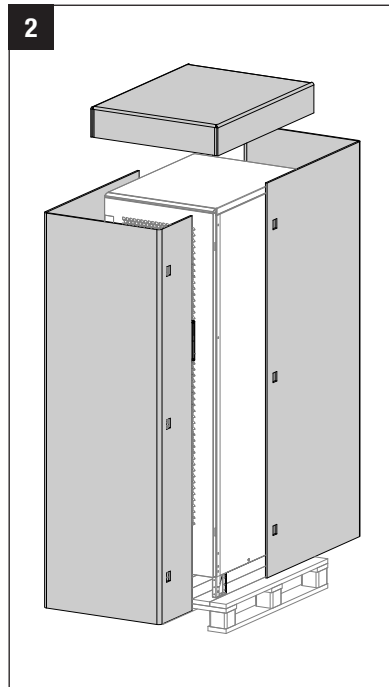
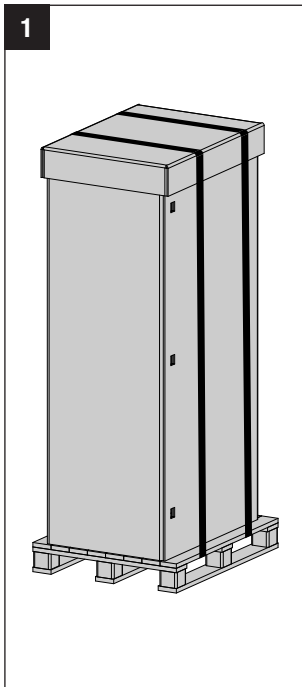
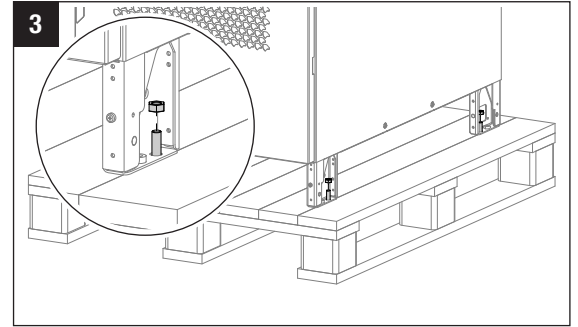
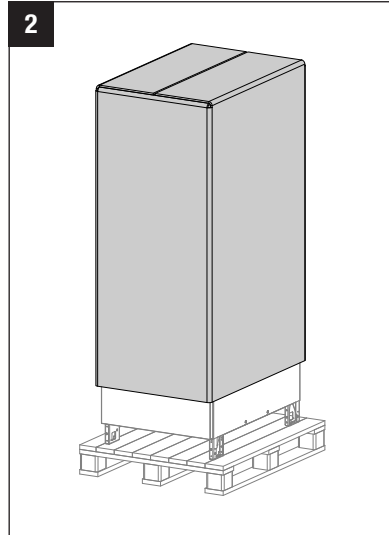
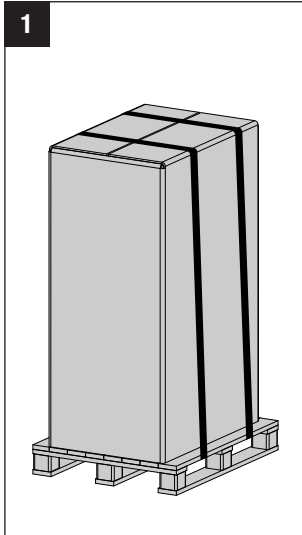
## 3.2 Handling

- The packaging guarantees the stability of the unit during shipping and physical transfer.
- The unit must remain in a vertical position during all shipping and handling operations.
- Ensure that the floor is strong enough to support the weight of the unit.
- Carry the packaged unit as close as possible to the installation site.

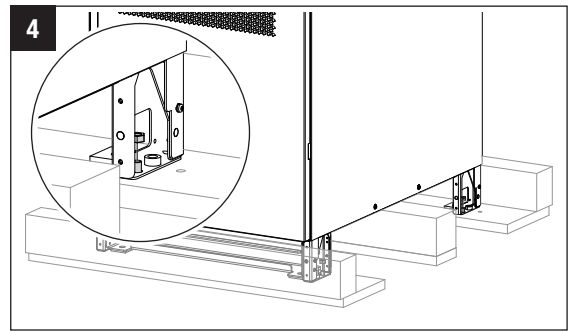
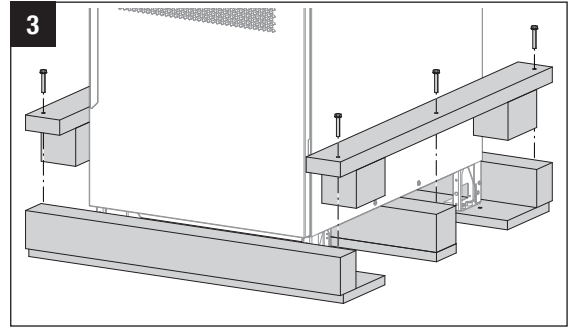
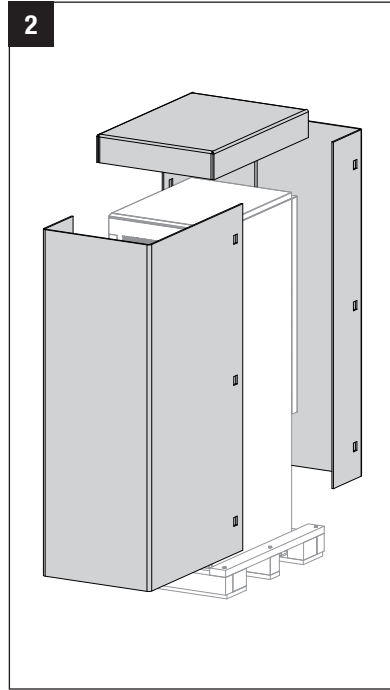
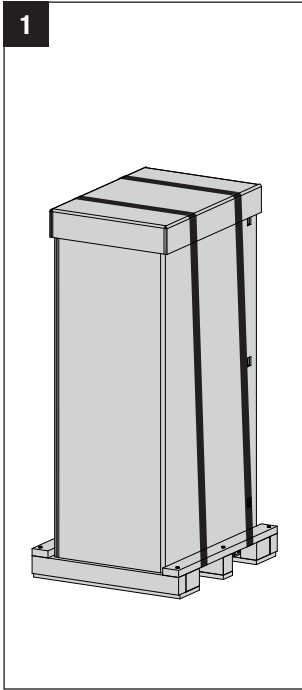
|   |  |
|---|--|
|  | <b>WARNING! HEAVY WEIGHT!</b><br>Move the unit using a fork lift truck taking the utmost caution at all times.   |
|  | The unit <b>MUST</b> be handled by at least two people. The people <b>MUST</b> take position at the sides of the UPS with respect to the direction of movement.  |
|  | Do not move the unit by pushing the front door.  |
|  | When moving the unit on even slightly sloping surfaces, use the locking equipment and braking devices to ensure that the unit does not fall over.  |
|  | <b>WARNING!</b><br>The following instructions must be carried out prior to moving the unit (after initial positioning). Failure to heed this warning could result in the unit falling over, equipment damage, injury and even death. |

## Unpacking procedures

- External batteries



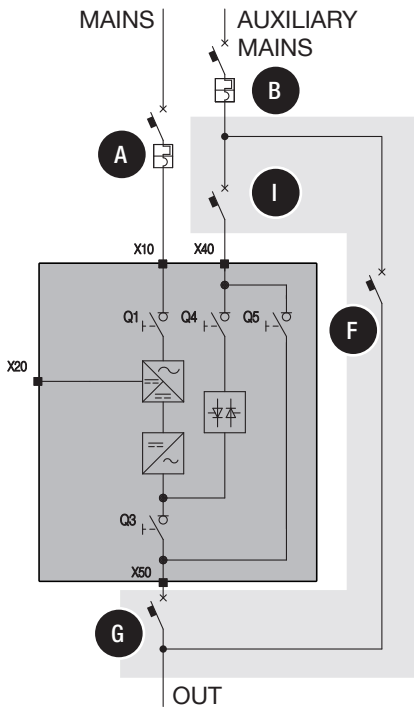
• Internal batteries





# 4. ELECTRICAL INSTALLATION

## 4.1 UPS single configuration

### 4.1.1 Mains and Auxiliary mains connected separately (with external batteries)



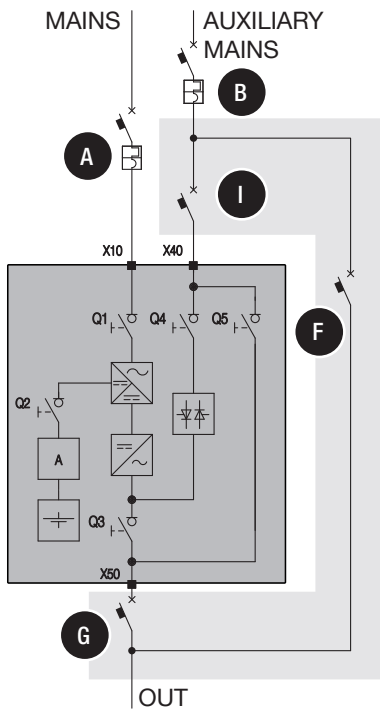
#### KEY

- A** Input mains thermal-magnetic circuit breaker.
- B** Auxiliary mains thermal-magnetic circuit breaker.
- F** External maintenance bypass switch<sup>(1)</sup>.
- G** Unit output switch.
- I** Unit Auxiliary mains switch.
-  UPS
-  External Maintenance Bypass<sup>(2)</sup>


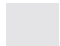
1. Connect a normally-closed early make contact from the External Maintenance bypass switch to the dedicated connector (if present) or to the ADC+SL board.

2. See 'Standard features and option' chapter.

### 4.1.2 Mains and Auxiliary mains connected separately (with internal batteries)



#### KEY

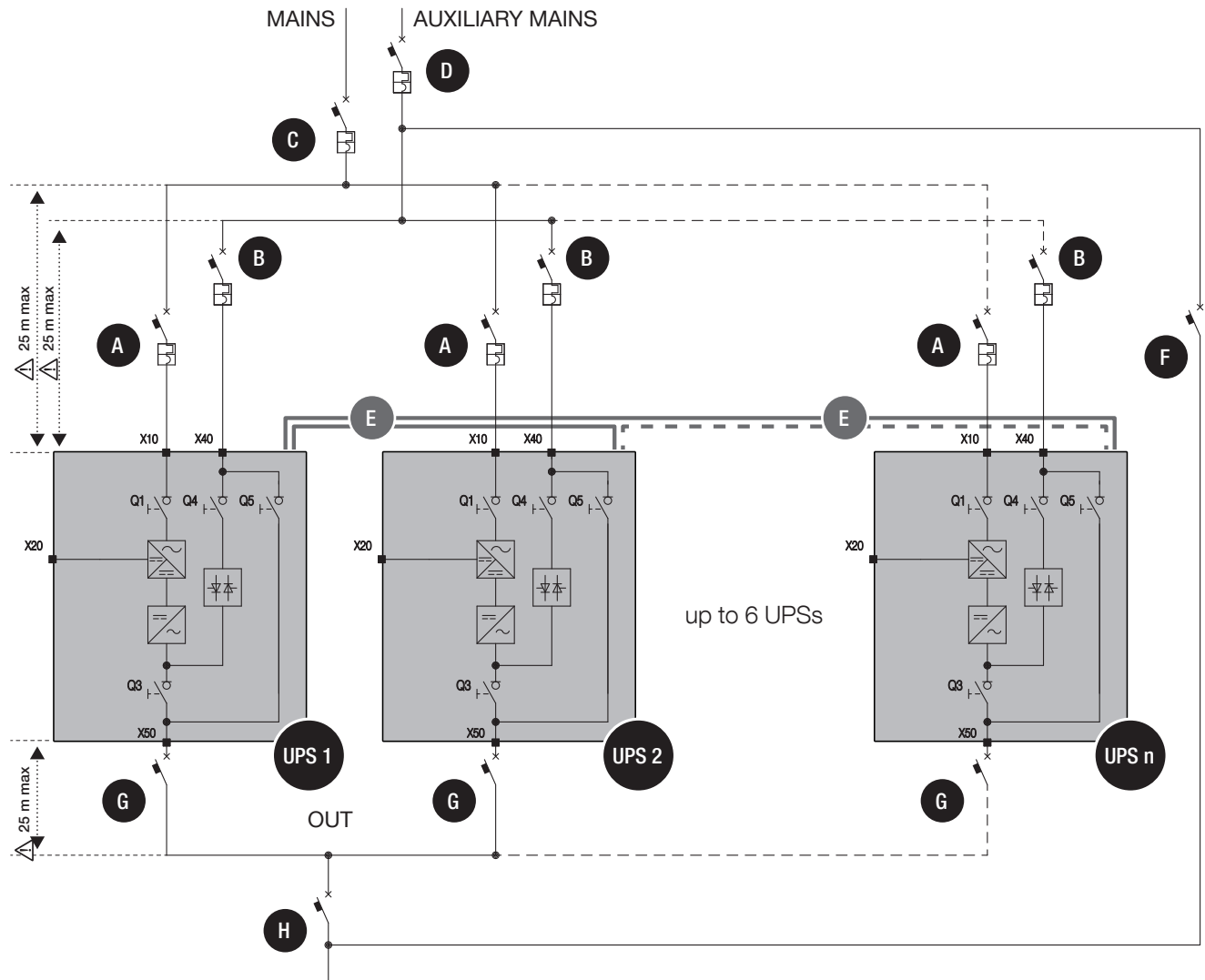
- A** Input mains thermal-magnetic circuit breaker.
- B** Auxiliary mains thermal-magnetic circuit breaker.
- F** External maintenance bypass switch<sup>(1)</sup>.
- G** Unit output switch.
- I** Unit Auxiliary mains switch.
-  UPS
-  External Maintenance Bypass<sup>(2)</sup>

1. Connect a normally-closed early make contact from the External Maintenance bypass switch to the dedicated connector (if present) or to the ADC+SL board.

2. See 'Standard features and option' chapter.

## 4.2 UPS Parallel configuration

### 4.2.1 Mains and Auxiliary mains connected separately (with external batteries)



#### KEY

- |   |  |
|---|--|
| <b>A</b> Unit Input mains thermal-magnetic circuit breaker.     | <b>E</b> Parallel bus cable.                                 |
| <b>B</b> Unit Auxiliary mains thermal-magnetic circuit breaker. | <b>F</b> External maintenance bypass switch <sup>(1)</sup> . |
| <b>C</b> Input mains thermal-magnetic circuit breaker.          | <b>G</b> Unit output switch <sup>(2)</sup> .                 |
| <b>D</b> Auxiliary mains thermal-magnetic circuit breaker.      | <b>H</b> System shutdown switch <sup>(3)</sup> .             |

1. If an external maintenance bypass switch **F** is present, it is advisable to connect a normally closed early make contact from the switch to the parallel board of the concentrator unit.



2. If unit output switches **G** are present, it is advisable to connect a normally open early break contact from the switch to the unit's parallel board.

3. If a system shutdown switch **H** is present, it is advisable to connect a normally open early break contact from the switch to the parallel board of the concentrator unit.

## 4.2.2 Parallel setup rules

In order to achieve the best performance in a parallel configuration ensure that the mains input, output and auxiliary input cables:

- Have the same length (maximum length range is  $\pm 5\%$ ).
- Are as short as possible.
- Are not longer than 15 metres.
- Are arranged evenly and not wrapped in coils. Cabling must be the same for each UPS in parallel.

|   |   |
|---|---|
|  | <b>WARNING!</b><br>In a parallel system it is necessary to oversize the auxiliary input cables at least 20% more than the rated value, due to the auxiliary input current balance tolerances. |
|  | Only units with the same power rating (nominal apparent power and nominal active power ) can be connected in parallel.<br>See chapter 15  |

## 4.2.3 Control connections

Control cables **E** are required for units connected in a parallel configuration.

The control cables are supplied with the UPS in the case of standard parallel arrangements, or attached to the parallel kit if the system is upgraded at a later date.

The control cables supplied allow a maximum distance of about 1-2 meter between the UPS units.

Furthermore, every individual unit must read the status of its output switch, and one of the two units, known as the concentrator, must read the status of the external manual bypass of the system **F** and the status of the output switch of the system **H**.

Parallel configuration must only be activated by qualified SOCOMEC personnel; in each case arrange the control cables in the relevant cable run as shown in the diagram, leaving the connector(s) unconnected (one incoming and one outgoing control cable must be used).

## 4.3 Electrical requirements



**NOTE!**

Before carrying out any operations on the unit read the 'Safety standards' chapter carefully.

The installation and system must comply with national plant regulations.

The electrical distribution panel must have a sectioning and protection system installed for input and auxiliary mains.

Residual Current Detection (RCD) is not necessary when the UPS is installed in a TN-S system.

RCD is not allowed on TN-C systems.

If a RCD is required a B-type should be used.

| Size of input protection devices |              |                                    |  |                               |       |                                   |
|----------------------------------|--------------|------------------------------------|--|-------------------------------|-------|-----------------------------------|
| In/Out phase                     | Model rating | Input Mains Breaker <sup>(1)</sup> | Auxiliary Mains Breaker <sup>(1)</sup> | Differential input            |       | Battery protection <sup>(4)</sup> |
|                                  | (kVA)        | (A)                                |  |                               |       |                                   |
|                                  |              | <b>A</b>                           | <b>B</b>                               | Selective type                |       | Fuse type aR                      |
|                                  |              |                                    | Single unit                            | Parallel (n)<br>(n=1 up to 6) |       |                                   |
| 3/3                              | 60           | 125                                | 160                                    | 0.5                           | 0.5*n | 160                               |
|                                  | 80           | 160                                | 200                                    | 0.5                           | 0.5*n | 200                               |
|                                  | 100          | 250                                | 250                                    | 0.5                           | 0.5*n | 250                               |
|                                  | 120          | 250                                | 250                                    | 0.5                           | 0.5*n | 315                               |
|                                  | 160          | 315                                | 400                                    | 0.5                           | 0.5*n | 400                               |

| Cable core size <sup>(2)</sup> |              |                    |               |               |               |     |
|--------------------------------|--------------|--------------------|---------------|---------------|---------------|-----|
| In/Out phase                   | Model rating | Input              | Auxiliary     | Output        | Battery       |     |
|                                | (kVA)        | (mm <sup>2</sup> ) |               |               |               |     |
|                                |              | Max <sup>(3)</sup> |               |               |               |     |
| 3/3                            | 60           | 70 (M8)            | 70 (M8)       | 70 (M8)       | 70 (M10)      | M10 |
|                                | 80           | 70 (M8)            | 70 (M8)       | 70 (M8)       | 70 (M10)      | M10 |
|                                | 100          | 2 x 120 (M10)      | 2 x 120 (M10) | 2 x 120 (M10) | 2 x 120 (M10) | M10 |
|                                | 120          | 2 x 120 (M10)      | 2 x 120 (M10) | 2 x 120 (M10) | 2 x 120 (M10) | M10 |
|                                | 160          | 2 x 150 (M10)      | 2 x 150 (M10) | 2 x 150 (M10) | 2 x 150 (M10) | M10 |

M8 terminals     Tightening torque 20 Nm








M10 terminals     Tightening torque 40 Nm

1. Circuit breaker switch recommended with magnetic intervention threshold curve C. It is necessary to use a D curve selective breaker if an optional external transformer is used.
2. **For parallel configuration**, cables shall have the same size and length for each unit (maximum length tolerance is  $\pm 5\%$ ).
3. Determined by the size of the terminals. The neutral conductor must not be dimensioned smaller than the phase conductor.
4. Tripole protection on external battery cabinet.  
Recommended values to avoid unwanted tripping with UPS at full power, minimum battery voltage and backup time of at least 5 min. Recommended Rapid fuse type or thermal-magnetic circuit breaker with intervention threshold =  $3 I_n$  suited for DC applications.








**NOTE:** the neutral of the AUX Mains line must be electrically common with the neutral of the main input feed line.



|   |   |
|---|---|
|    | <p><b>CAUTION:</b> Residual Current Detection (RCD) can only be used in the case of a common input and auxiliary mains (configuration not recommended). It has to be placed upstream of the connection between input mains and auxiliary mains. If RCD is installed the trigger value must be 0.5 A multiplied by the number of units connected in parallel.</p> <p>Use type B four-pole selective (S) residual current detectors. Load leakage currents are to be added to those generated by the UPS and during transitory phases (power failures and power returns) short current peaks may occur. If loads with high leakage current are present, adjust the residual current protection. It is advisable in all cases to carry out a preliminary check on the earth current leakage with the UPS installed and operational with the definitive load, so as to prevent the RCD tripping over.</p> |
|    | <p><b>NOTE:</b></p> <p>To ensure the integrity of the 60-80 kVA bypass thyristors, <math>I^2t</math> must be lower than 120 kA<sup>2</sup>s and peak current must be lower than 5 kA for 20 ms.</p> <p>To ensure the integrity of the 100-160 kVA bypass thyristors, <math>I^2t</math> must be lower than 400 kA<sup>2</sup>s and peak current must be lower than 9 kA for 20 ms.</p> <p>Contact SOCOMEC for detailed information.</p>  |
|    | <p>The UPS is designed for transient overvoltages in category II installations. If the UPS is part of the building's electrical circuit, or is likely to be subject to transient overvoltages in category III installations, additional external protection must be provided, either on the UPS or in the AC power supply network powering the UPS.</p>   |
|    | <p>The UPS is designed for indoor environmental service conditions according to IEC 60721-3-3 with pollution degree lower or equal to 2 (non-conductive pollution).</p>   |
|    | <p><b>WARNING:</b> protective earthing conductor (PE) must have sufficient current-carrying capacity. The PE cable core size must be chosen according to the PROTECTIVE CURRENT RATING of the earth circuit which depends on the provision and location of protective overcurrent devices.</p>  |
|   | <p><b>NOTE:</b> 3-Phase 4-Wire Input Power is required.</p> <p>The unit can be installed in TN-C, TN-S, TT and IT AC distribution systems (IEC 60364-3).</p>  |
|  | <p>In the standard configuration, the UPS does not modify the type of electrical supply system where it is connected. Then the same system will supply to both the load and the battery cabinets, if any.</p>   |


#### Additional requirements for parallel configuration


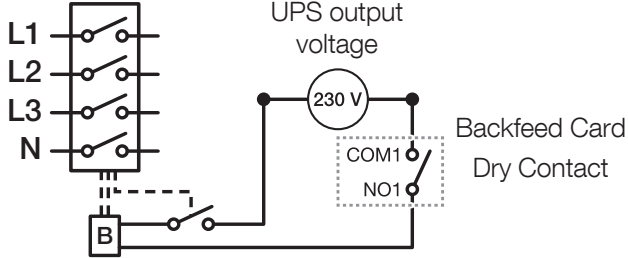
|   |   |
|---|---|
|  | <p>The UPS is designed for transient overvoltages in category II installations. If the UPS is part of a parallel configuration and the total output rated current is &gt; 400 A, additional external protection must be provided.</p>   |
|  | <p>The phase rotation of auxiliary mains and output cables must be the same for each unit.</p>  |
|  | <p>System shutdown switch <b>H</b> should always be installed in the external distribution cabinet and recognised as an emergency shutdown switch (red handle). If this switch is far from the UPS or in another room a remote shutdown button shall be installed near the UPS.</p> |
|  | <p>Before turning on an individual unit ensure that the relevant unit output switch <b>G</b> is closed.</p>   |
|  | <p>Before opening unit output switch <b>G</b> ensure that the relevant unit is turned off.</p>  |

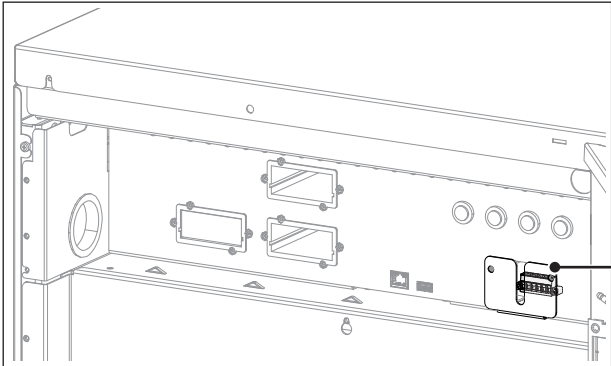
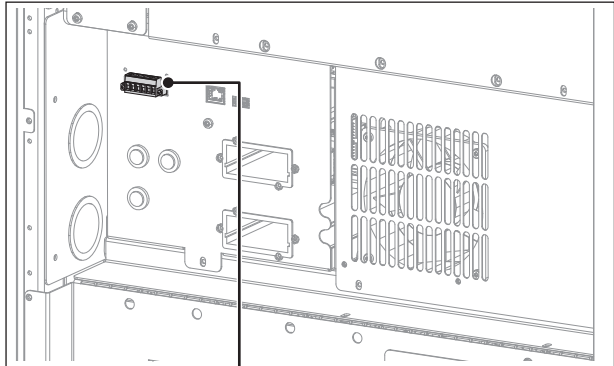
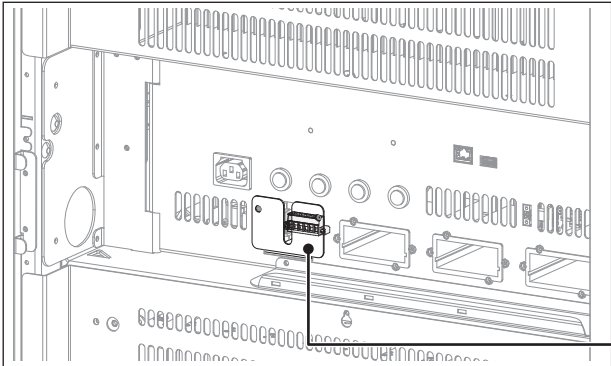
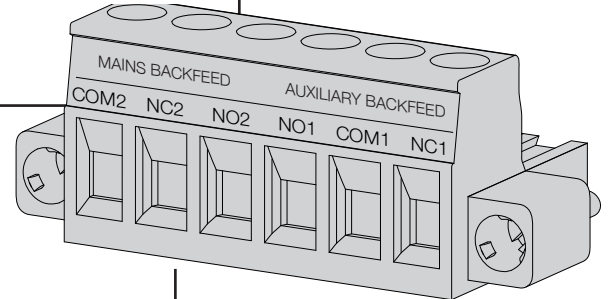
### 4.3.1 Backfeed protection


The UPS is set up for the installation of external protection devices against the backfeed of dangerous voltages, on both the input power supply line (MAINS SUPPLY) and on the auxiliary backup mains power supply line (AUXILIARY MAINS SUPPLY); these devices are controlled by means of the card shown in figure.

The current rating of the switching device has to follow the instruction outlined in 'Electrical requirements' chapter.

|   |  |
|---|--|
|  | <p><b>DANGER! RISK OF ELECTRIC SHOCK!</b><br/>The installer must attach the warning label in order to warn electrical technicians about dangerous backfeed situations (not caused by the UPS).</p> |
|---|--|

| Warning label (supplied with the equipment)  | Backfeed electrical diagram  |
|--|--|
| <div style="border: 1px solid black; padding: 5px;"> <p style="text-align: center;"><b>Before working on this circuit</b></p> <ul style="list-style-type: none"> <li>- Isolate the Uninterruptible Power System (UPS)</li> <li>- Then check for Hazardous Voltage between all terminals including the protective earth</li> </ul> <div style="text-align: center;">  <p><b>Risk of Voltage Backfeed</b></p> </div> </div> |  |

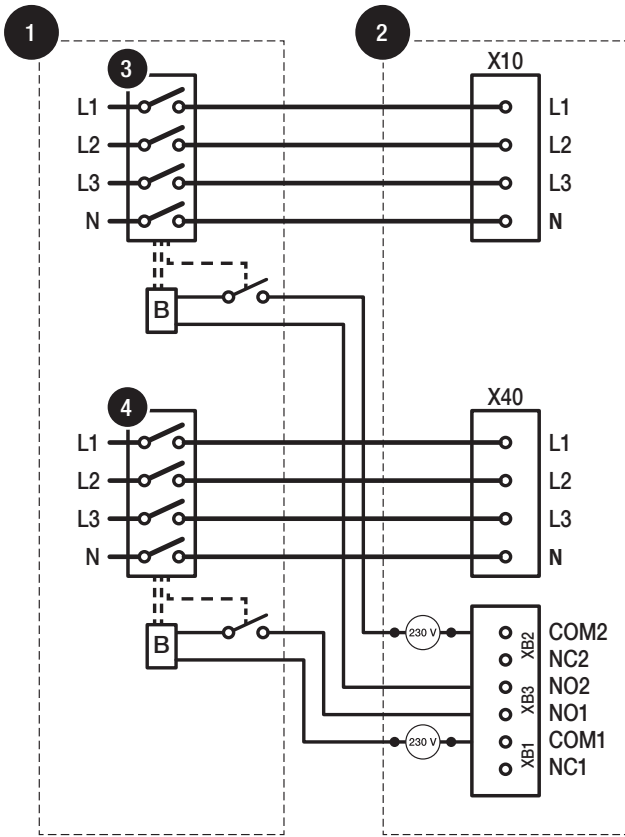
| Backfeed trip coils supply   |
|--|
| <div style="display: flex; justify-content: space-around;"> <div style="text-align: center;"> <p>60 -120 kVA — External batteries</p>  </div> <div style="text-align: center;"> <p>60 - 80 kVA — Internal batteries</p>  </div> </div> <div style="text-align: center; margin-top: 20px;"> <p>160 kVA — External batteries</p>  </div> <div style="text-align: center; margin-top: 20px;">  </div> |

|   |   |
|---|---|
|  | <p><b>NOTE:</b> Use a 220-240 V trip coil with integrated travel limit contact to pilot the input/auxiliary protection systems. If a trip coil without an integrated end of travel contact is used, a normally open contact must be added. Electrical contact data: 1.6 A 250 V AC.</p> |
|---|---|

As an option the unit can be delivered with the integrated internal backfeed switches. Refer to 'Standard features and option' chapter.

- Separated input mains

Activating UPS protection on the mimic panel: access the MAIN MENU > SERVICE > UPS SETTINGS > MAINS CONFIGURATION > MAINS / AUXILIARY and set the parameter to SEPARATED.

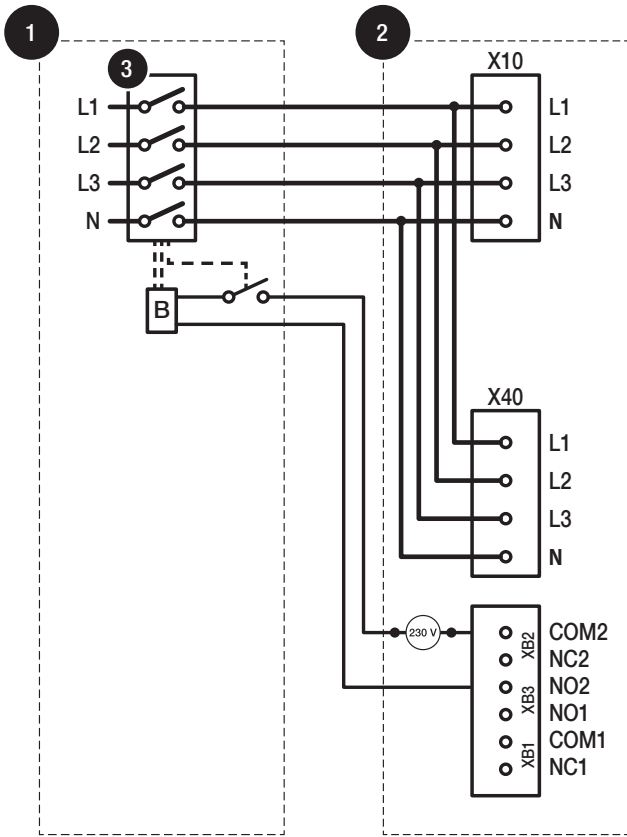


### KEY

|                                      |                               |
|--------------------------------------|-------------------------------|
| <b>1</b>                             | Distribution panel            |
| <b>2</b>                             | UPS                           |
| <b>B</b>                             | Trip coil                     |
| <b>X10</b>                           | Mains terminal                |
| <b>X40</b>                           | Auxiliary Mains terminal      |
| <b>3</b>                             | Mains switch                  |
| <b>4</b>                             | Auxiliary Mains switch        |
| <b>XB2</b> (COM2) - <b>XB3</b> (NO2) | Mains BKF connector           |
| <b>XB1</b> (COM1) - <b>XB3</b> (NO1) | Auxiliary Mains BKF connector |
| <b>230 V</b>                         | UPS output voltage            |

- Common input mains





Activating UPS protection on the mimic panel: access the MAIN MENU > SERVICE > UPS SETTINGS > MAINS CONFIGURATION > MAINS / AUXILIARY and set the parameter to COMMON.

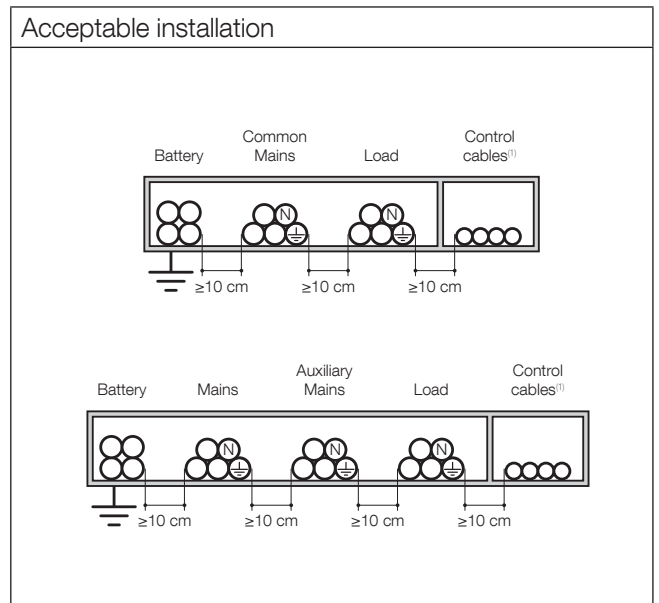
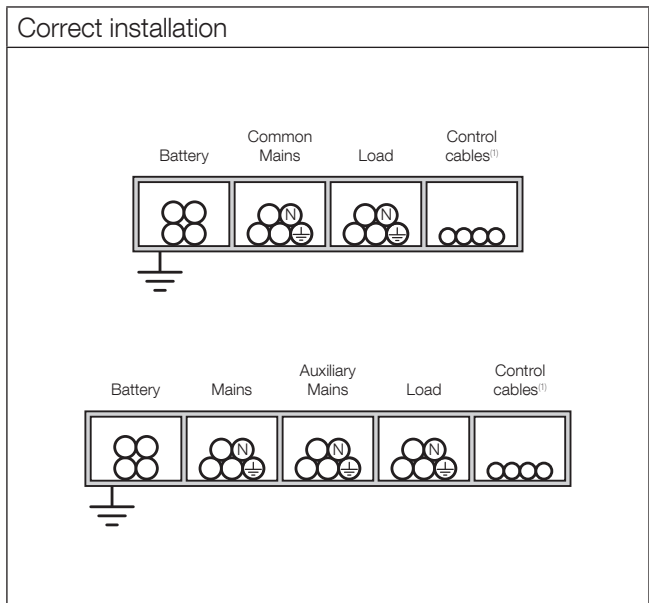


### KEY

|                               |                            |
|-------------------------------|----------------------------|
| <b>1</b>                      | Distribution panel         |
| <b>2</b>                      | UPS                        |
| <b>B</b>                      | Trip coil                  |
| <b>X10</b>                    | Mains terminal             |
| <b>X40</b>                    | Auxiliary Mains terminal   |
| <b>3</b>                      | Mains switch               |
| <b>XB2 (COM2) - XB3 (NO2)</b> | Common mains BKF connector |
| <b>230 V</b>                  | UPS output voltage         |

## 4.4 Cable positioning

|   |  |
|---|--|
|  | <b>WARNING!</b><br>The cables must be installed on trays according to the following diagrams. The trays must be positioned near the UPS.   |
|  | <b>WARNING!</b><br>All metal and suspended ducts or those in raised flooring <b>MUST</b> be connected to earth and to the various cabinets |
|  | <b>WARNING!</b><br>Power cables and control cables <b>MUST NEVER</b> be installed in the same duct.  |
|  | <b>WARNING!</b><br>Risk of electromagnetic interference between battery cables and output cables.  |

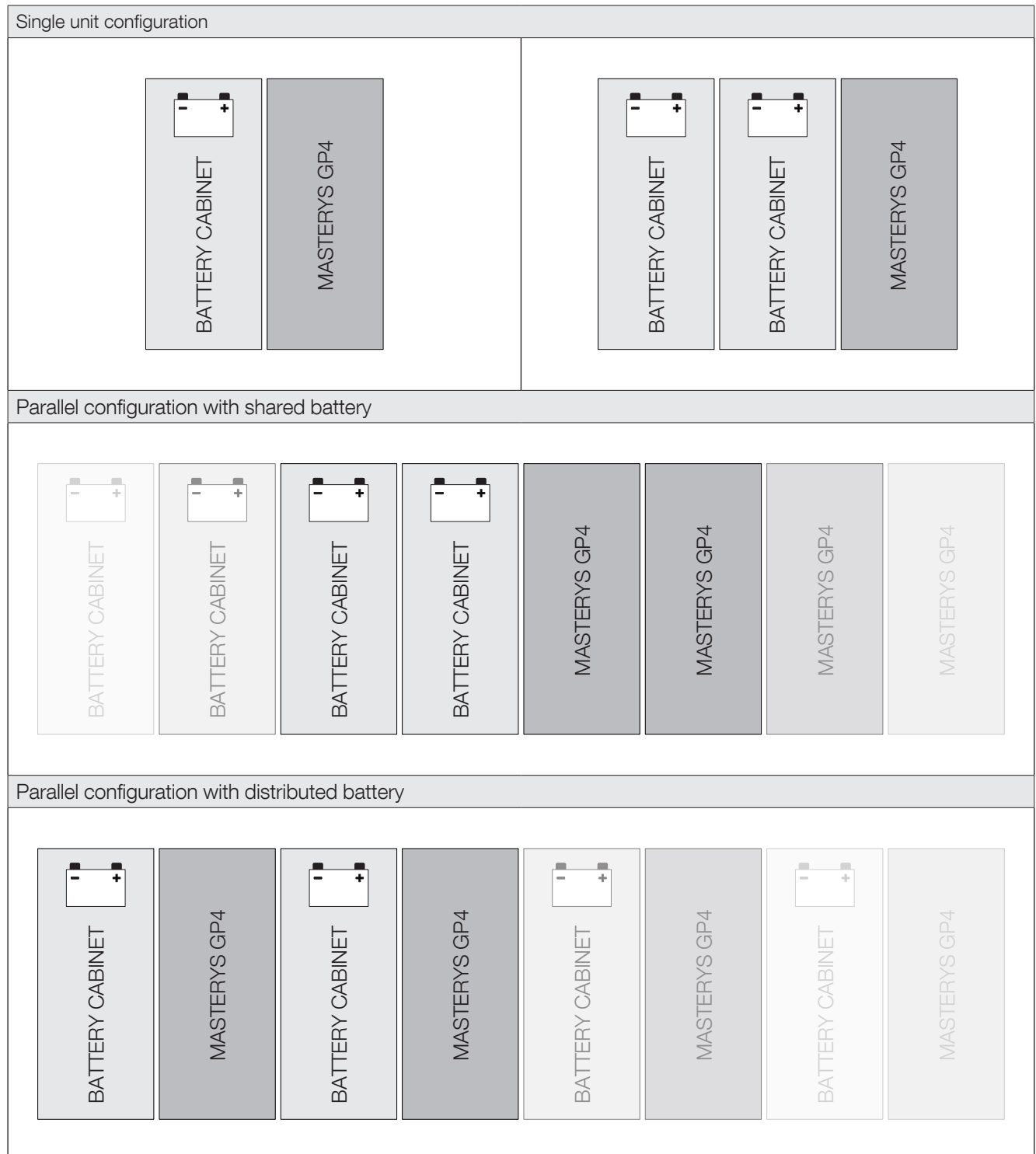


1. Control cables: connections between the cabinets and each unit, alarm signals, remote mimic panel, connection to the BMS (Building Management System), emergency stop, connection to generator.

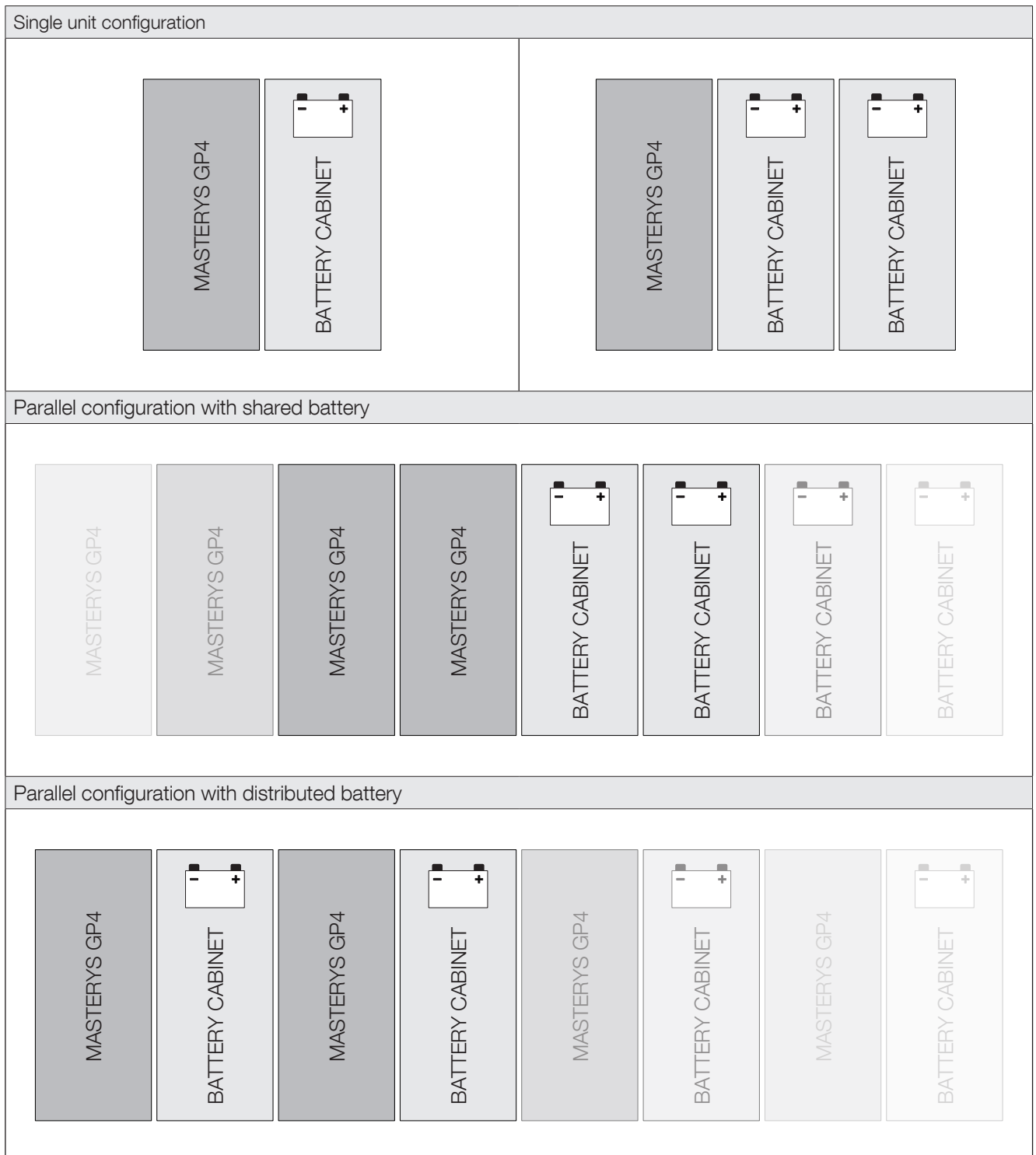
# 5. OVERVIEW

## 5.1 Recommended configurations

### 5.1.1 60-120 kVA with external battery cabinet



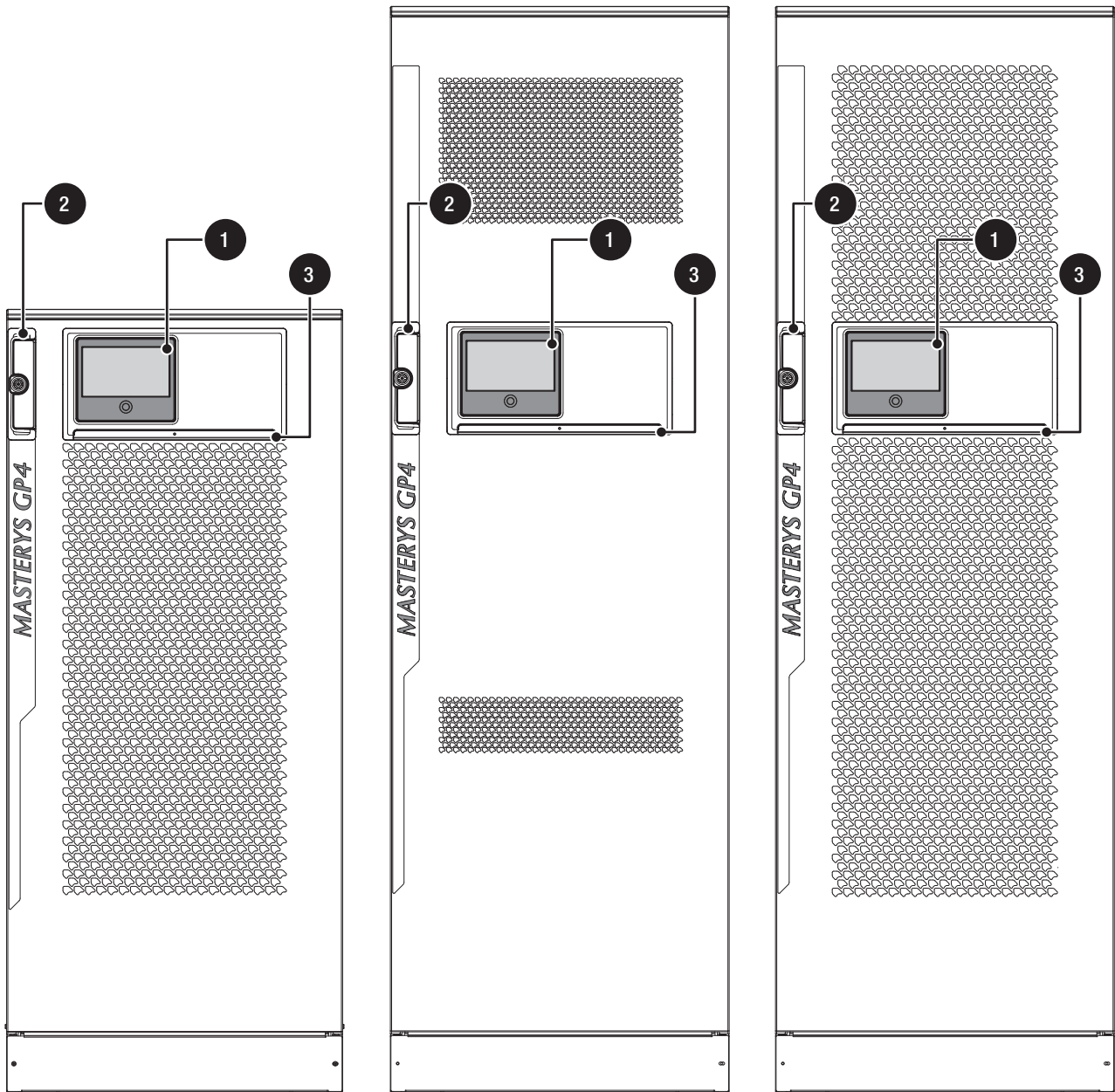
## 5.1.2 160 kVA with external battery cabinet



## 5.2 Front view

### KEY

- 1 Control panel
- 2 UPS door
- 3 Luminous status bar



Model "M"

Model "T"



## 5.3 UPS switches

### KEY

- Q1** Input switch (MAINS)
- Q2-1** Battery switch
- Q4** Auxiliary mains Input switch (AUXILIARY MAINS)
- Q2-2** Battery switch
- Q5** Maintenance bypass switch
- Q2-3** Battery switch
- Q3** Output switch
- Q2-4** Battery switch
- A** UPS connections

| UPS<br>kVA | In/Out<br>phase | Battery<br>type     | Details |
|------------|-----------------|---------------------|---------|
| 60-80      | 3/3             | Internal<br>battery |         |

|        |     |                  |  |
|--------|-----|------------------|--|
| 60-120 | 3/3 | External battery |  |
| 160    | 3/3 | External battery |  |

## 5.4 Wiring diagram

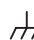
### KEY

**X10** Input mains

**X40** Auxiliary mains

**X20** Battery

**X50** Output

 PE

**Q1** Input switch (MAINS)

**Q4** Auxiliary mains Input switch (AUXILIARY MAINS)

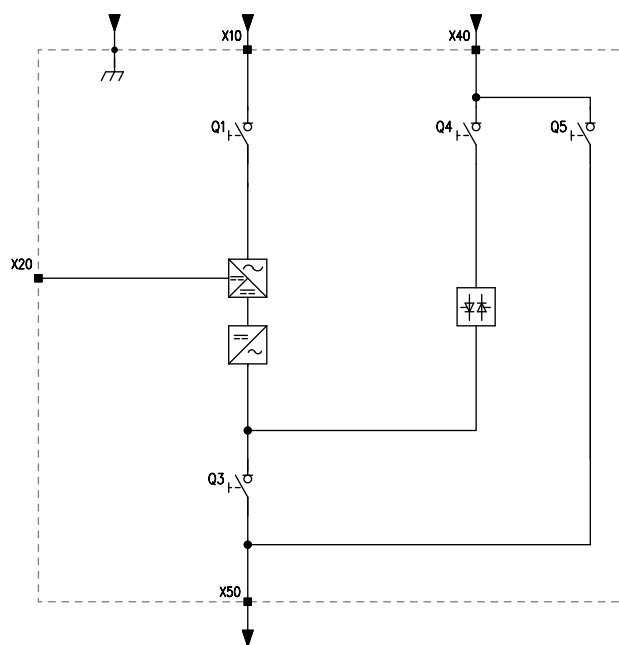
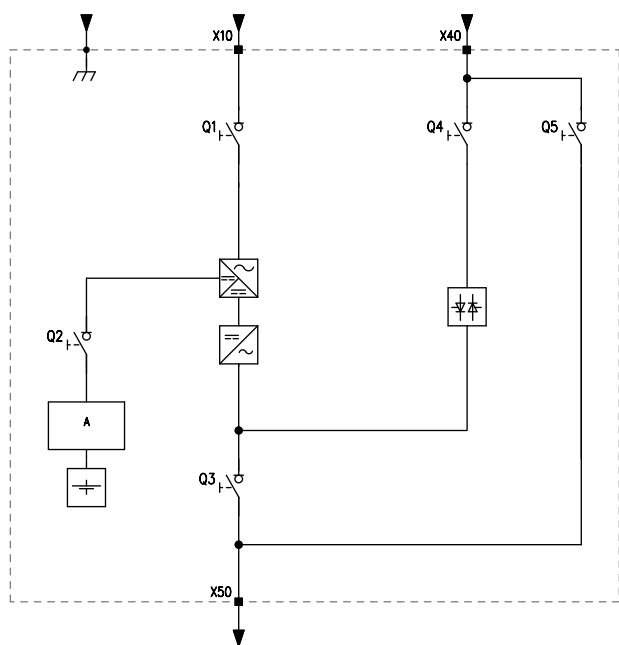
**Q5** Maintenance bypass switch

**Q2** Battery switch

**Q3** Output switch

**A** Protection

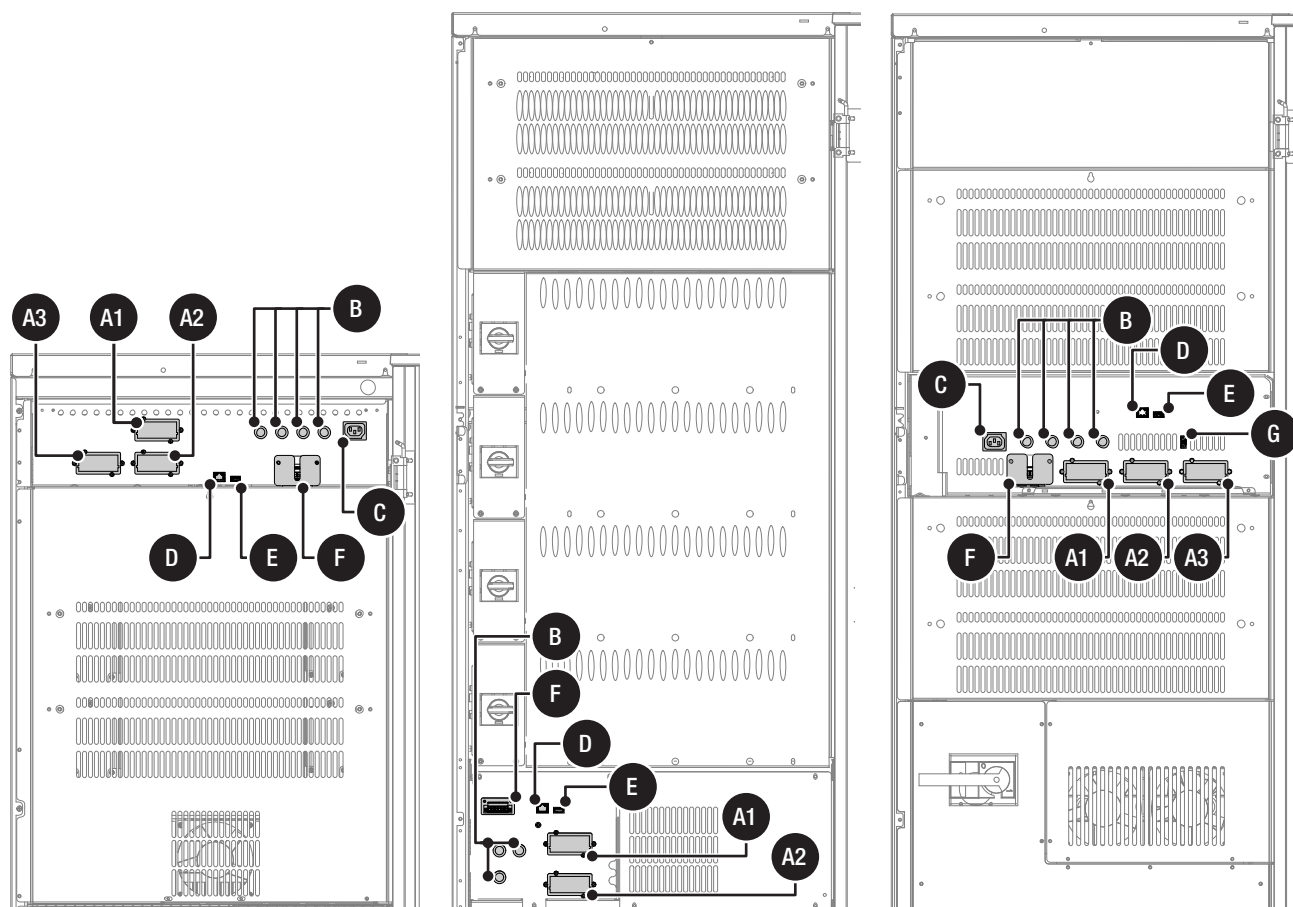
| 60-80 kVA        | 60-160 kVA       |
|------------------|------------------|
| Internal battery | External battery |



## 5.5 Internal front view details

### KEY




- |   |   |
|---|---|
| <b>A1</b> Option slots 1                  | <b>D</b> Ethernet network for service only  |
| <b>A2</b> Option slots 2                  | <b>E</b> USB connector for service only   |
| <b>A3</b> Option slots 3 <sup>1</sup>     | <b>F</b> Backfeed card  |
| <b>B</b> Fuses for service only           | <b>G</b> External Maintenance Bypass for UPS single configuration only <sup>2</sup> |
| <b>C</b> 230 V AC socket for service only |   |



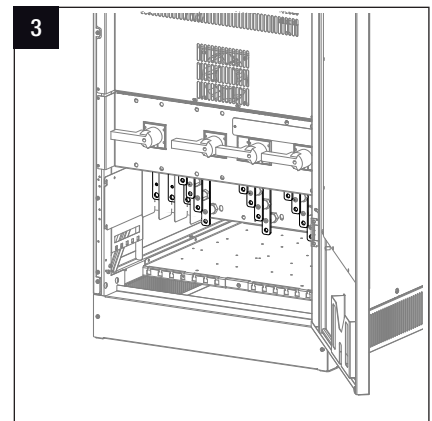
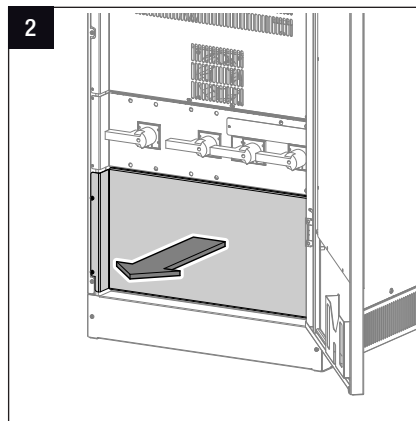
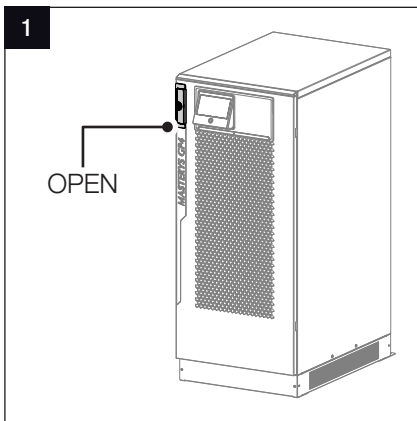
1. See 'Standard features and option' chapter.

2. Connect a normally-closed early make contact from the external maintenance bypass switch.

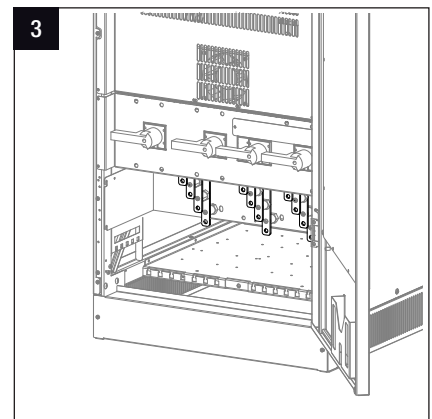
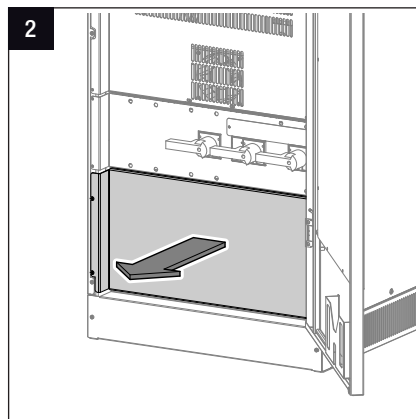
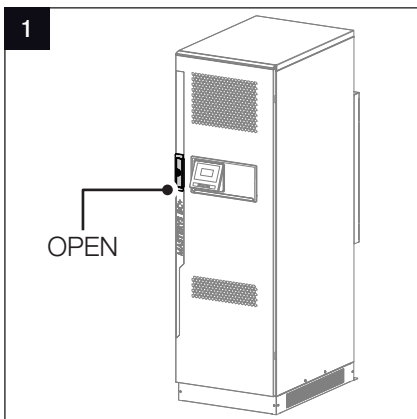
# 6. CONNECTIONS

|   |  |
|---|--|
|  | <p><b>NOTE!</b><br/>Before carrying out any operations on the unit read the 'Safety standards' chapter carefully.</p>  |
|  | <p><b>WARNING!</b><br/>Battery power terminals are supplied by external battery cabinet.<br/>Before working on this circuit ensure that:</p> <ul style="list-style-type: none"> <li>- all the external battery cabinet switches are in OFF position;</li> <li>- the UPS is in maintenance bypass mode (refer to 'Operating modes' chapter)</li> </ul> <p>Check for presence of voltage before operating.</p> |
|  | <p>Use cables with tin-plated eyelets for the connections.</p>   |

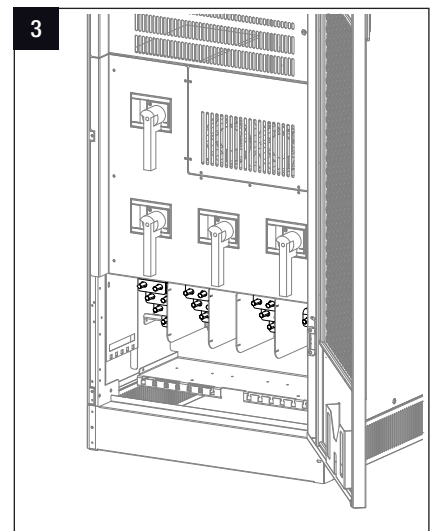
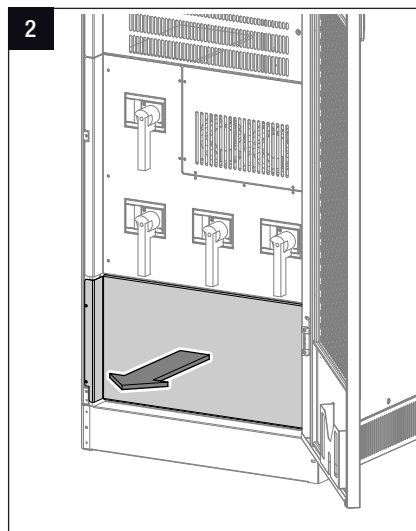
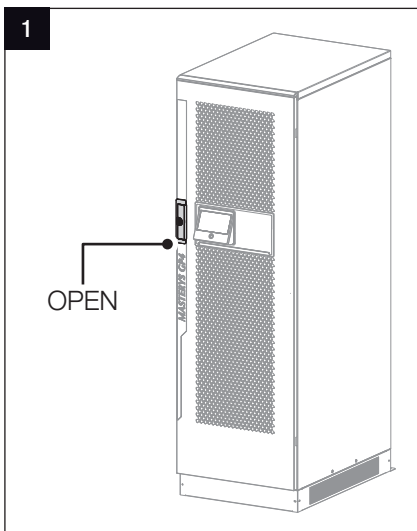
• 60-120 kVA external batteries



• 60-80 internal battery



• 60-160 kVA external batteries



## 6.1 UPS connection



**WARNING!**

Cabling errors with inversion between phase and neutral conductors may cause permanent damage to the equipment.

**KEY**

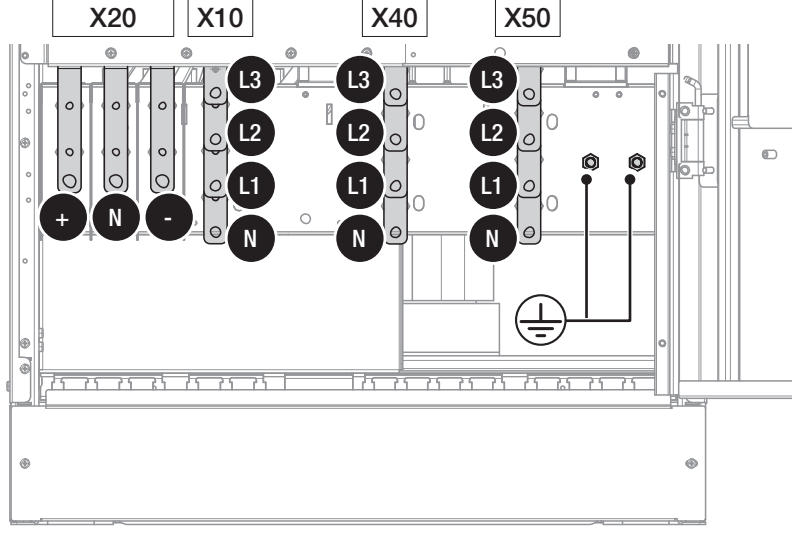
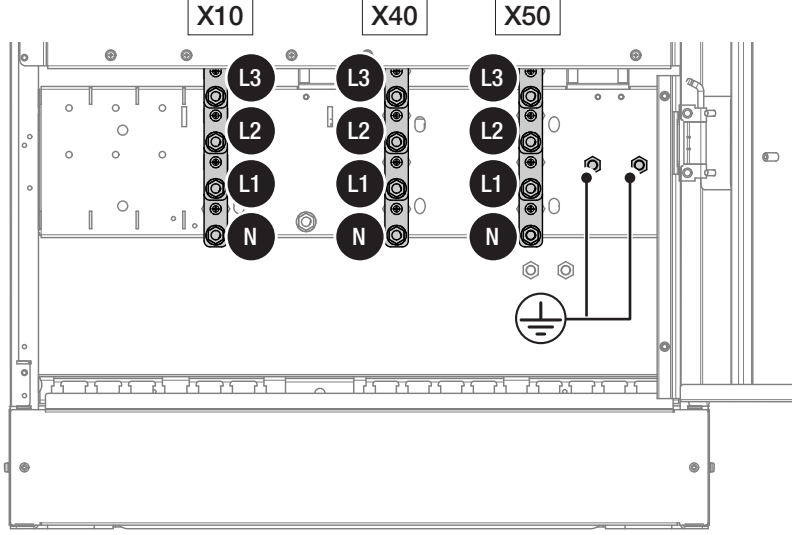
**X10** Input mains

**X40** Auxiliary mains

**X20** Battery

**X50** Output


 PE

| UPS<br>kVA | In/Out<br>phase | Battery<br>type     | Details <sup>1</sup>   |
|------------|-----------------|---------------------|--|
| 60-80      | 3/3             | External<br>battery |   |
| 60-80      | 3/3             | Internal<br>battery |  |


| UPS<br>kVA | In/Out<br>phase | Battery<br>type     | Details <sup>1</sup> |
|------------|-----------------|---------------------|----------------------|
| 100-120    | 3/3             | External<br>battery |                      |
| 160        | 3/3             | External<br>battery |                      |


1. For further details refer to 'Electrical requirements' chapter.

### 6.1.1 External battery connection

|   |  |
|---|--|
|  | <b>NOTE!</b><br>For further information refer to the battery cabinet manual. |
|---|--|

- Remove the plastic terminal block protection.
- Connect the protective earth (PE) cable.
- Connect the cables between the UPS terminals and the battery cabinet terminals.

|   |  |
|---|--|
|  | <b>WARNING!</b><br>Strictly observe: <ul style="list-style-type: none"><li>- the polarity of each individual string (refer to the figure below);</li><li>- the cable cross section (refer to 'Electrical requirements' chapter).</li></ul> |
|---|--|

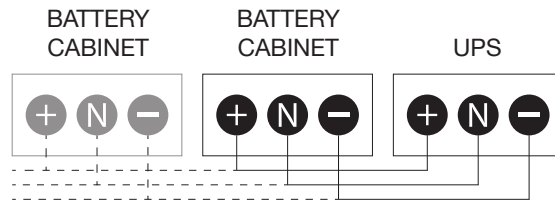
|   |   |
|---|---|
|  | <b>WARNING!</b><br>Cabling errors with inversion of battery polarity may cause permanent damage to the equipment. |
|---|---|

|   |   |
|---|---|
|  | Reassemble the plastic terminal block protection. |
|---|---|

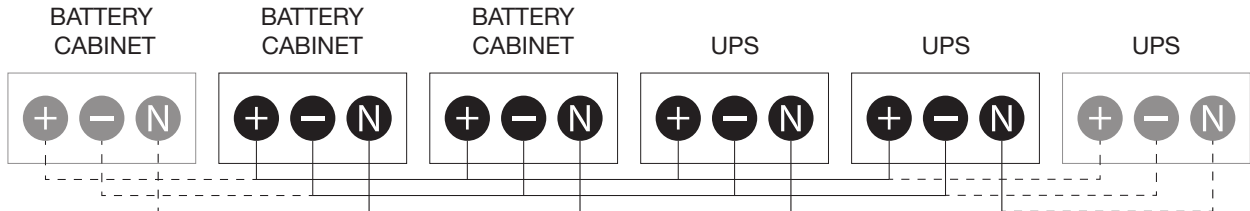
|   |  |
|---|--|
|  | <b>WARNING:</b> pay attention to the individual cable range for battery connections. |
|---|--|



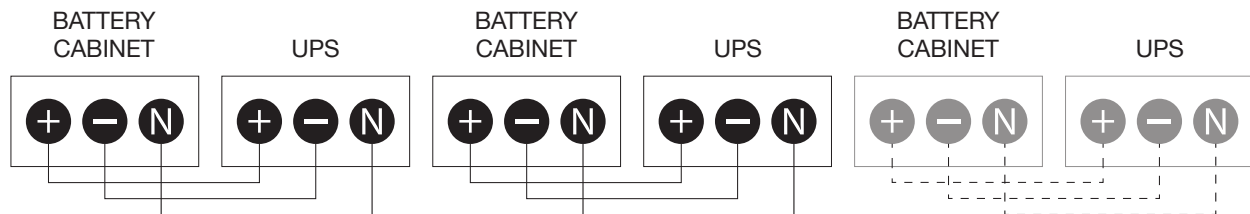
Connection example - single unit



Connection example - parallel configuration with shared battery



Connection example - parallel configuration with distributed battery



**Note!**

When battery cabinets not supplied by Socomec are used, the installer is responsible for:

- checking electrical compatibility;
- checking the presence of appropriate protective devices (fuses and circuit breakers that ensure the cables are protected from the UPS to the battery cabinet).

Once the UPS is switched on – before closing the battery switches – check the battery parameters on the control panel menu. For further information, refer to 'Display operation' chapter.

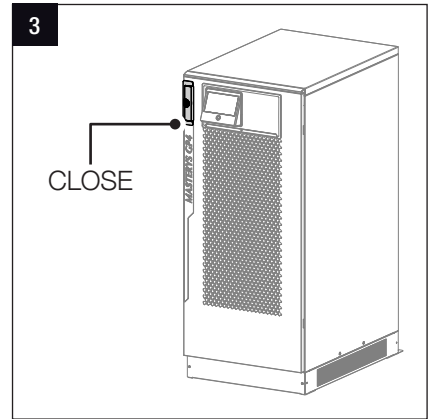
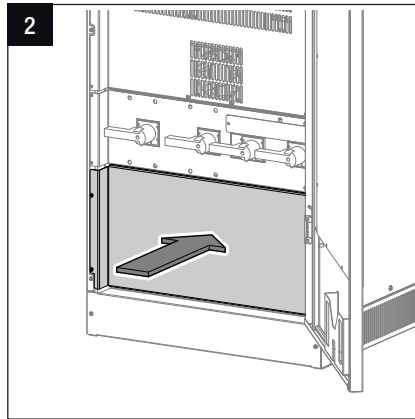
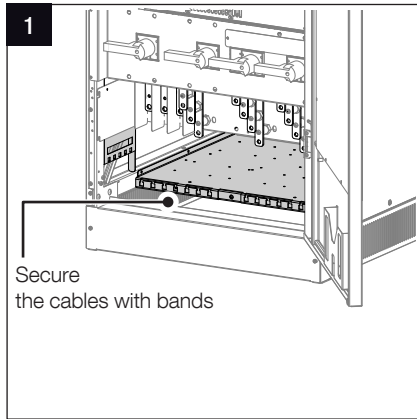


**Note!**

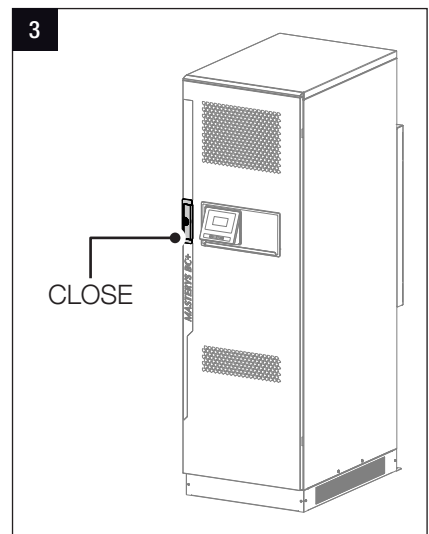
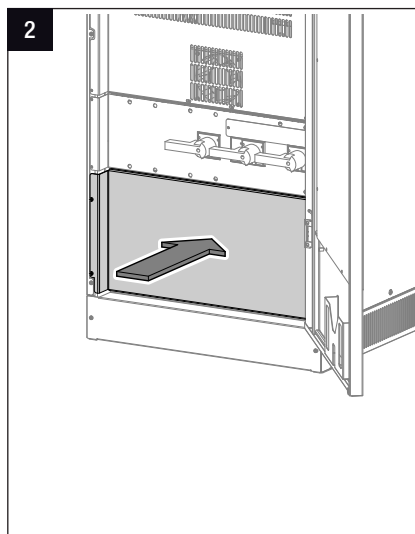
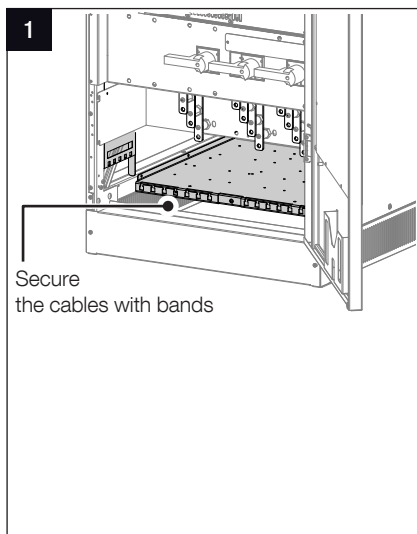
Not all battery/capacity combinations are available.

## 6.2 Completion of the installation

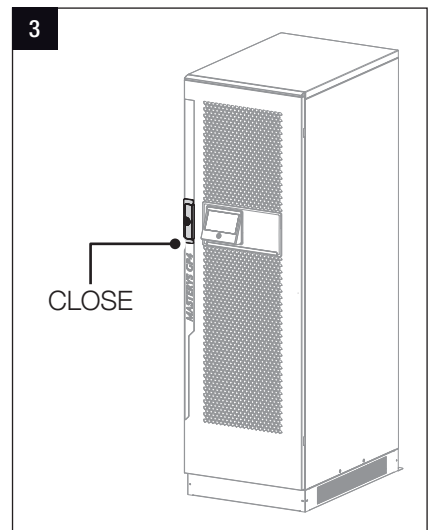
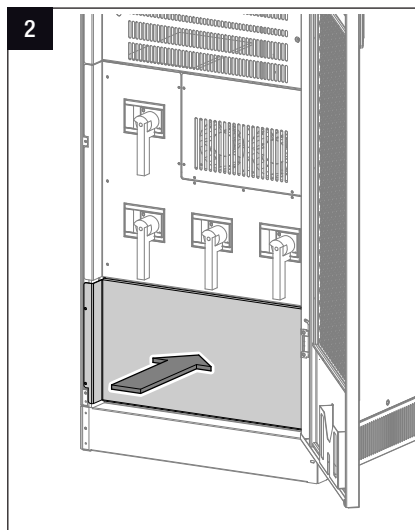
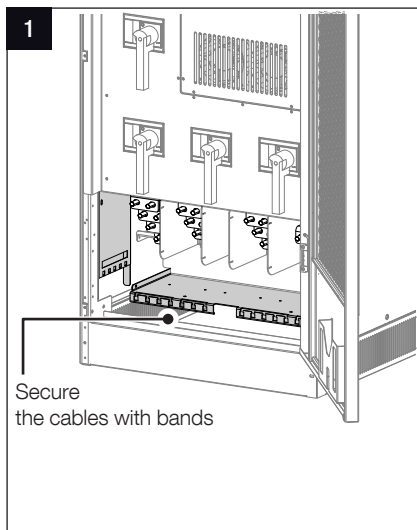
- 60-120 kVA external batteries



- 60-80 internal battery



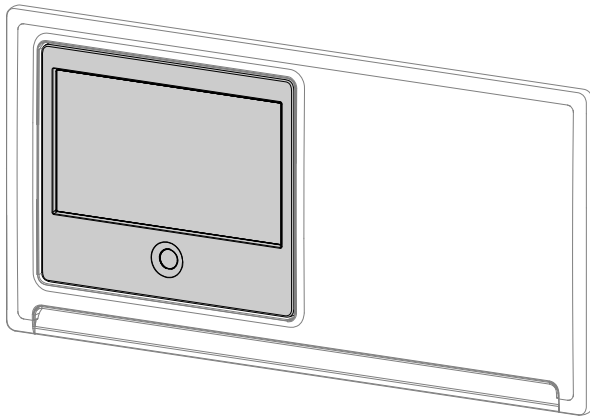
- 60-160 kVA external batteries



# 7. CONTROL PANEL

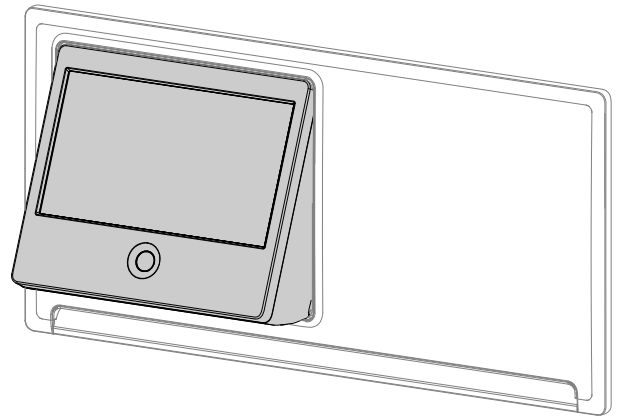
Vertical mount  
(Factory standard)

IP21

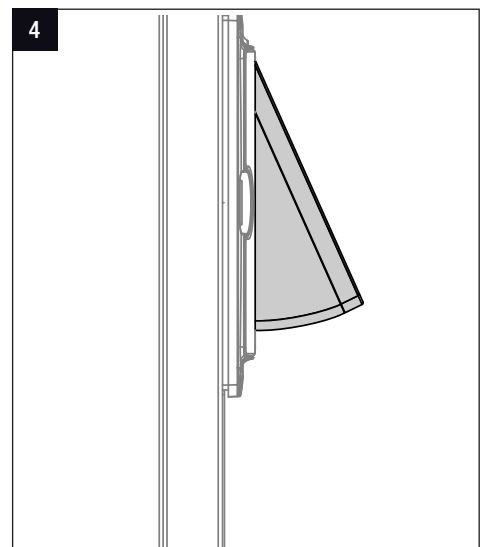
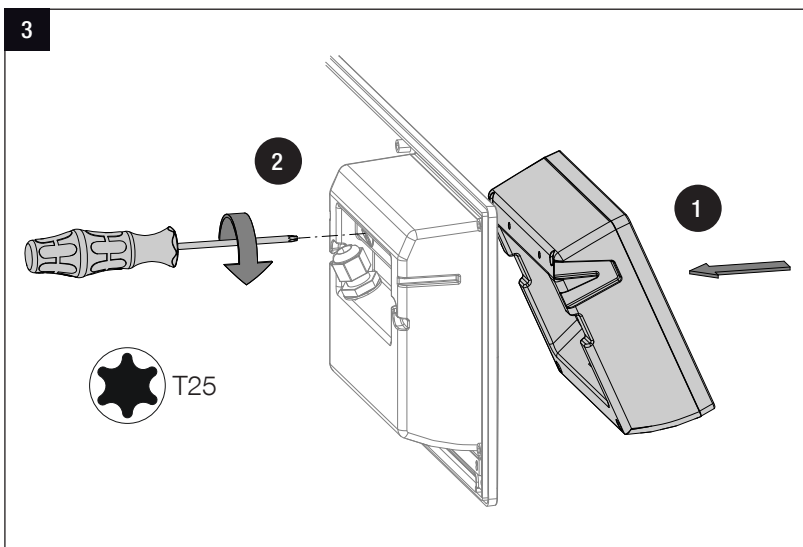
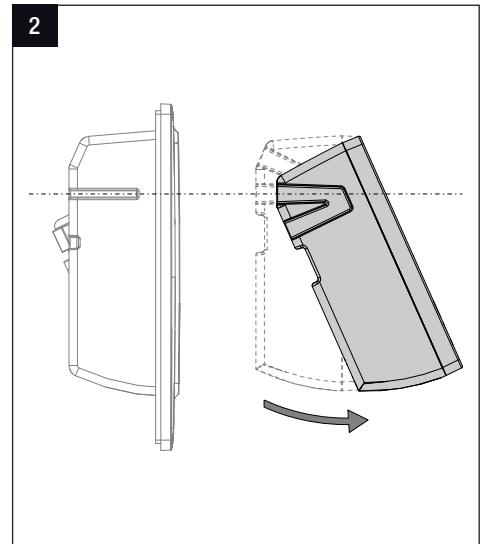
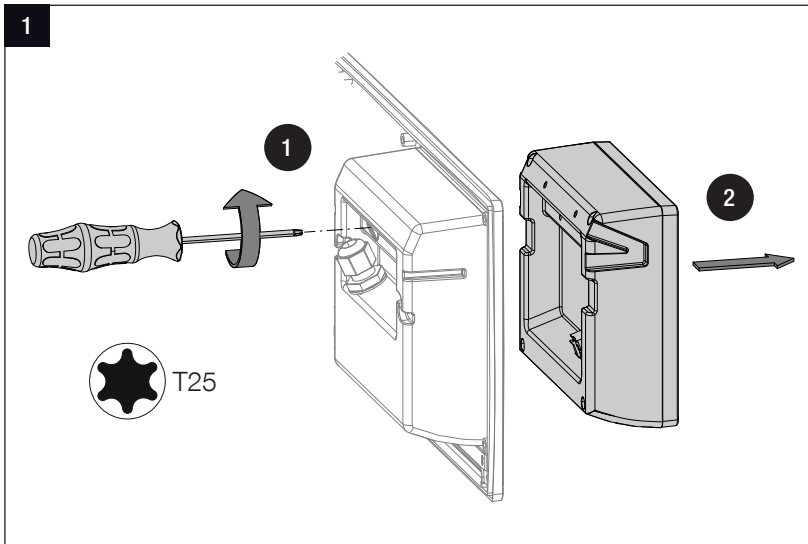


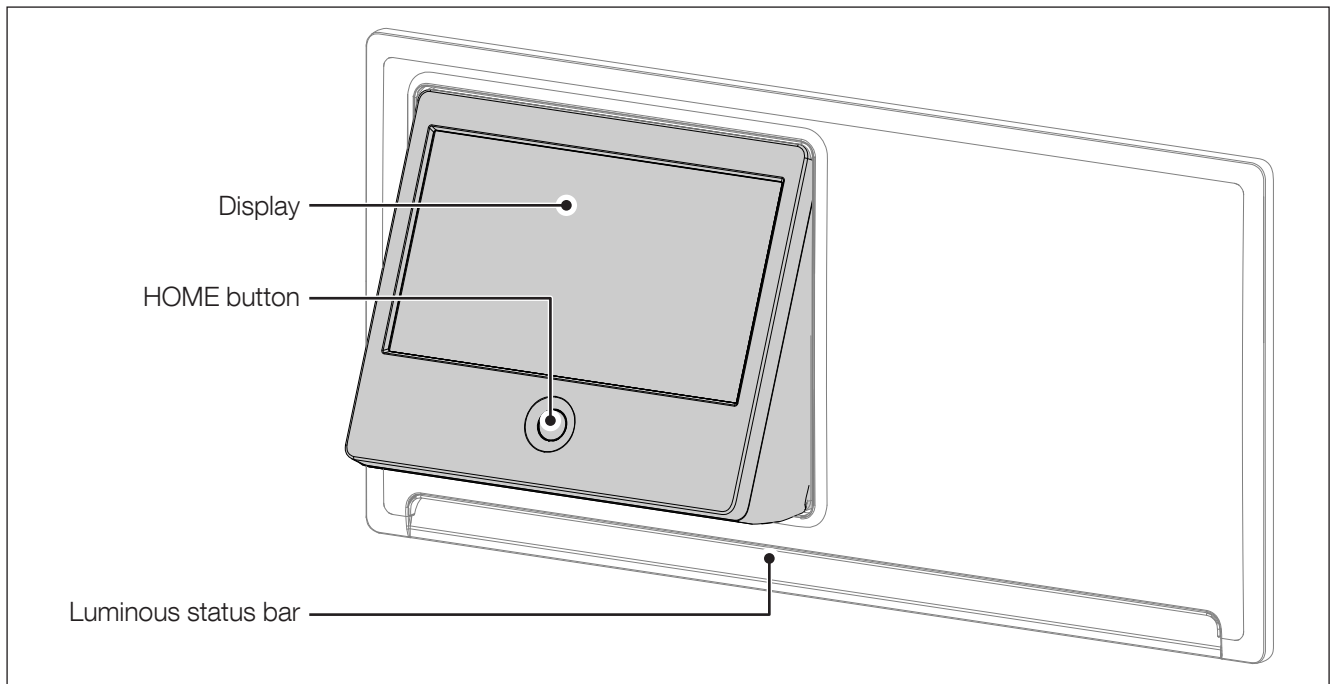
Angled mount

IP20



From vertical to angled mount





### Control panel with LED status bar indicator

| Colour                        | Description  |
|-------------------------------|--|
| Flashing red-yellow-green-red | No communication. The data is no longer updated or not present. Load status cannot be given. |
| Flashing red                  | Load supplied, but the output will stop in few minutes.                                      |
| Red                           | Load not supplied: Output switched OFF due to an alarm.                                      |
| Flashing yellow-red           | Load supplied, but no longer protected. A critical alarm occurs.                             |
| Flashing yellow               | Maintenance requested / or service mode in progress.   |
| Yellow                        | Load supplied with warning.  |
| Flashing green-yellow-green   | Load supplied and preventive alarm present.  |
| Flashing green                | Load going to be supplied, battery test in progress or UPS auto-test running.                |
| Green                         | Load protected by inverter or UPS in eco mode.   |
| Grey (OFF)                    | Load not supplied: output on standby / isolated / OFF.                                       |

Only two elements are necessary to interact with the unit:

- HOME button: is a mono-stable button used to interact manually with the display especially in emergency situations. Logic behind the interaction is:
  - Single pressing (below 3 sec): HOME page return of graphic display
  - 3 sec < time < 6 sec: change the language to the default (English)
  - 6 sec < time < 8/9 sec: go to the calibration screen automatically
  - Above 8/9 sec: implement the hw reset of the micro controller and restart of the graphic
- Display: is the main active matrix of the display sensitive to touch pressure. The display is designed for rugged industrial applications. The display is single-touch only (no double touch effects). Depending on pressure, the navigation tree and various functions will be executed.

Two special functions are present on the control panel:

- Standby screen: for safety reasons, after a programmable amount of time, the display goes on standby. Display goes to the main screen and touch screen sensitivity is disabled. A label on the bottom of the main screen displays this status. To exit this status press the screen for the HOME button.
- OFF status: for power consumption and life enhancement, after a programmable amount of time display goes in "off". Display goes black and no interaction is possible. Touching the HOME button or screen resumes normal operations.

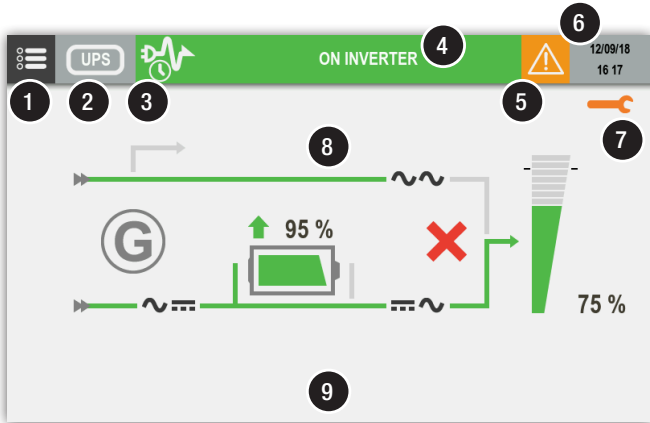


Handle the control panel with care. It is made of metal, glass and plastic and contains delicate electronic components. The control panel may be damaged if dropped, pierced or broken or comes into contact with liquids.  
Do not use the control panel with a cracked screen, as it may cause injury.

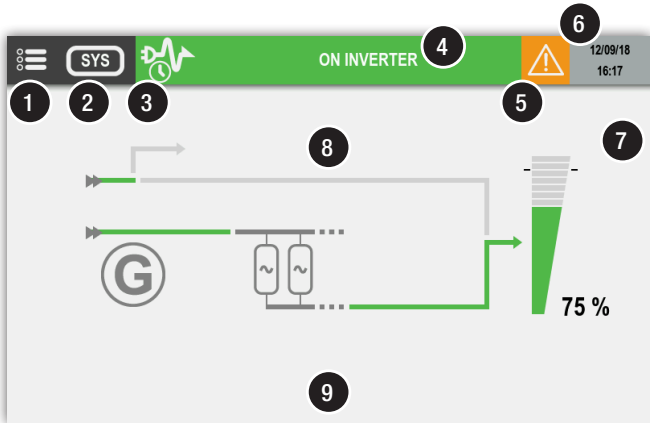
# 8. DISPLAY OPERATION

## 8.1 Display description

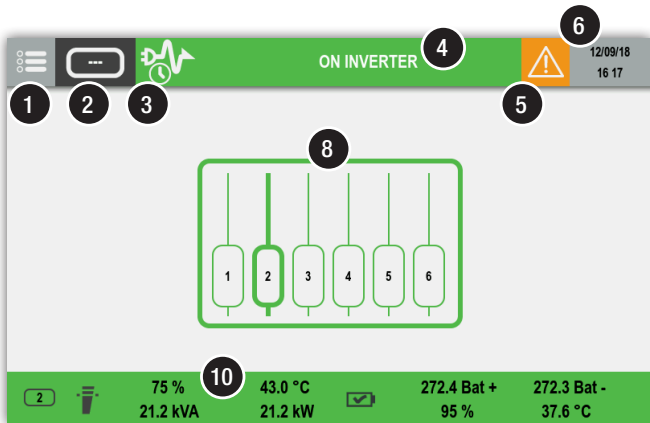
- Stand alone UPS or unit view



- UPS parallel system: System view



- UPS parallel system: Units overview



- 1 Menu access
- 2 Device reference
- 3 Functioning mode (see 'Functioning mode' chapter)
- 4 Status displaying / Status page access
- 5 Alarm present – access to alarm page  
“Alarms” icon appears in case of preventive/critical alarm. A dedicated pop-up appears and can be cleared.
- 6 Clock
- 7 Maintenance alert
- 8 Synoptic area
- 9 Help message area  
“Press Key to wake up” appears when the display goes on standby. Touch the display to wake it up.
- 10 Measures report

## 8.2 Menu architecture

|                                | MENU ITEMS               |                    |                     |
|--------------------------------|--------------------------|--------------------|---------------------|
|                                | Stand alone UPS<br>[UPS] | Unit<br>[1] to [6] | UPS System<br>[SYS] |
| <b>▼ MONITORING</b>            |                          |                    |                     |
| ▶ ALARMS                       | •                        | •                  | •                   |
| ▶ STATUS                       | •                        | •                  | •                   |
| ▶ SYNOPTIC                     | •                        |                    |                     |
| ▶ UNIT                         |                          | •                  | •                   |
| ▶ SYSTEM                       |                          | •                  | •                   |
| ▶ UNITS OVERVIEW               |                          | •                  | •                   |
| <b>▶ EVENTS LOG</b>            | •                        | •                  | •                   |
| <b>▼ MEASUREMENTS</b>          |                          |                    |                     |
| ▶ OUTPUT MEASUREMENTS          | •                        | •                  | •                   |
| ▶ BATTERY MEASUREMENTS         | ^                        | ^                  | ^                   |
| ▶ INPUT MEASUREMENTS           | •                        | •                  | •                   |
| ▶ INVERTER MEASUREMENTS        | •                        | •                  |                     |
| ▶ BYPASS MEASUREMENTS          | ^                        | ^                  | ^                   |
| <b>▼ CONTROLS</b>              |                          |                    |                     |
| <b>▼ UPS PROCEDURES</b>        |                          |                    |                     |
| ▶ START                        | • <sup>1</sup>           |                    | • <sup>1</sup>      |
| ▶ STOP                         | • <sup>1</sup>           | • <sup>1</sup>     |                     |
| ▶ ON MAINTENANCE BYPASS        | • <sup>1</sup>           |                    | • <sup>1</sup>      |
| <b>▼ MODE</b>                  |                          |                    |                     |
| <b>▼ ECO MODE CONTROLS</b>     |                          |                    |                     |
| ▶ Eco Mode ON                  | ^                        |                    | ^                   |
| ▶ Eco Mode OFF                 | ^                        |                    | ^                   |
| ▶ ECO MODE SCHEDULE            | ^                        |                    | ^                   |
| <b>▼ ENERGY SAVER CONTROLS</b> |                          |                    |                     |
| ▶ Energy Saver ON              |                          |                    | ^                   |
| ▶ Energy Saver OFF             |                          |                    | ^                   |
| <b>▼ BATTERY</b>               |                          |                    |                     |
| <b>▼ BATTERY CONTROLS</b>      |                          |                    |                     |
| ▶ BATTERY TEST                 | ^                        | ^                  | ^                   |
| ▶ BATTERY SCHEDULE             | ^                        | ^                  | ^                   |
| <b>▼ MAINTENANCE</b>           |                          |                    |                     |
| ▶ Alarms reset                 | •                        | •                  | •                   |
| ▶ Postpone maintenance alarm   | •                        | •                  | •                   |
| ▶ LED test                     | •                        | •                  | •                   |
| ▶ User report                  | •                        | •                  | •                   |

|                             | MENU ITEMS               |                    |                     |
|-----------------------------|--------------------------|--------------------|---------------------|
|                             | Stand alone UPS<br>[UPS] | Unit<br>[1] to [6] | UPS System<br>[SYS] |
| <b>▼ CONFIGURATIONS</b>     | •                        |                    | •                   |
| ▶ CLOCK                     | •                        |                    | •                   |
| <b>▼ COM-SLOTS</b>          |                          |                    |                     |
| ▶ COM-Slot 1                | ^                        | ^                  |                     |
| ▶ COM-Slot 2                | ^                        | ^                  |                     |
| ▶ COM-Slot 3 <sup>(2)</sup> | ^                        | ^                  |                     |
| ▶ TEMPERATURE PROBE         | ^                        | ^                  | ^                   |
| <b>▼ REFERENCE</b>          |                          |                    |                     |
| ▶ SOCOMEC REFERENCE         | •                        | •                  | •                   |
| ▶ SERIAL NUMBER             | •                        | •                  | •                   |
| ▶ User Reference            | •                        | •                  |                     |
| ▶ Location                  | •                        | •                  |                     |
| <b>▼ REMOTE</b>             |                          |                    |                     |
| ▶ Remote ON                 | •                        |                    | •                   |
| ▶ Remote OFF                | •                        |                    | •                   |
| <b>▼ USER PARAMETERS</b>    |                          |                    |                     |
| ▶ LANGUAGE                  | •                        |                    | •                   |
| ▶ PASSWORD                  | •                        |                    | •                   |
| ▶ BUZZER                    | •                        |                    | •                   |
| ▶ DISPLAY                   | •                        |                    | •                   |
| ▶ PREFERENCES               | •                        |                    | •                   |
| ▶ ADC+SL CONFIG             | •                        | •                  |                     |
| ▶ TOUCHSCREEN               | •                        | •                  | •                   |

|  | MENU ITEMS               |                    |                     |
|--|--------------------------|--------------------|---------------------|
|  | Stand alone UPS<br>[UPS] | Unit<br>[1] to [6] | UPS System<br>[SYS] |
| <b>▼ SERVICE</b>                           |                          |                    |                     |
| ▶ SERVICE REPORT                           | •                        | •                  |                     |
| ▶ FW VERSION                               | •                        | •                  |                     |
| <b>▼ UPS SETTINGS</b>                      |                          |                    |                     |
| ▼ OUTPUT MENU                              |                          |                    |                     |
| ▶ Output voltage                           | •                        |                    | •                   |
| ▶ Output frequency                         | •                        |                    | •                   |
| ▶ Converter mode                           | •                        |                    | •                   |
| ▶ Automatic restart                        | •                        |                    | •                   |
| ▼ BATTERY MENU                             |                          |                    |                     |
| ▼ BATTERY INSTALLATION                     |                          |                    |                     |
| ▶ Battery available                        | ^                        | ^                  | ^                   |
| ▶ Battery connection                       | ^                        | ^                  | ^                   |
| ▶ Battery type                             | ^                        | ^                  | ^                   |
| ▼ BATTERY DATA                             |                          |                    |                     |
| ▶ Capacity                                 | ^                        | ^                  | ^                   |
| ▶ N° of cells                              | ^                        | ^                  | ^                   |
| ▶ N° of blocks                             | ^                        | ^                  | ^                   |
| ▶ Recharge type                            | ^                        | ^                  | ^                   |
| ▶ Premin. Voltage                          | ^                        | ^                  | ^                   |
| ▶ Min. Voltage                             | ^                        | ^                  | ^                   |
| ▶ Floating                                 | ^                        | ^                  | ^                   |
| ▶ Boost Voltage                            | ^                        | ^                  | ^                   |
| ▼ BATTERY THRESHOLDS                       |                          |                    |                     |
| ▶ Rech. Curr. Limit                        | ^                        | ^                  | ^                   |
| ▶ Float-Boost Threshold                    | ^                        | ^                  | ^                   |
| ▶ Boost-Float Threshold                    | ^                        | ^                  | ^                   |
| ▼ TEMP. COMPENSATION                       |                          |                    |                     |
| ▶ Temper. Compensation                     | ^                        | ^                  | ^                   |
| ▼ MAINS CONFIGURATION                      |                          |                    |                     |
| ▶ Mains configuration                      | •                        |                    | •                   |
| ▼ PARALLEL SYSTEM                          |                          |                    |                     |
| ▶ Units in parallel                        |                          |                    | •                   |
| ▶ Redundancy level                         |                          |                    | •                   |
| ▶ NETWORK PARAMETERS<br>(Only for service) |                          |                    |                     |
| ▶ DHCP                                     | •                        | •                  |                     |
| ▶ IP                                       | •                        | •                  |                     |
| ▶ MASK                                     | •                        | •                  |                     |
| ▶ GATEWAY                                  | •                        | •                  |                     |
| ▶ MAC                                      | •                        | •                  |                     |

(^). Depending on setting

1. Displayed depending on state.

2. See 'Standard features and option' chapter.



## 8.3 Functioning mode



Service



Isolated



Eco mode scheduling active



Fast Eco Mode



Eco Mode active



Standby active



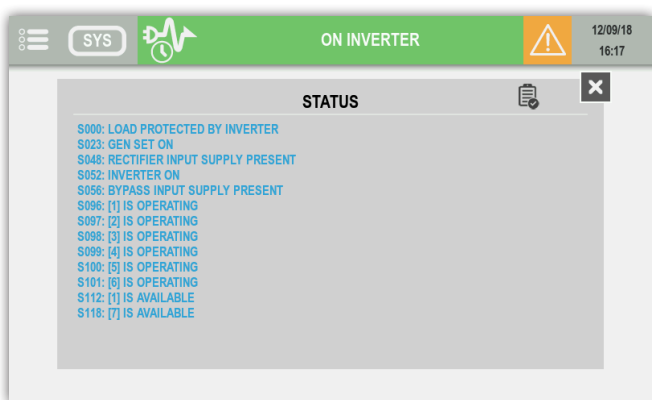
Energy saver active



Autotest

## 8.4 STATUS

### 8.4.1 Status page



#### Filtering



List all active status



List all status



List all status not active

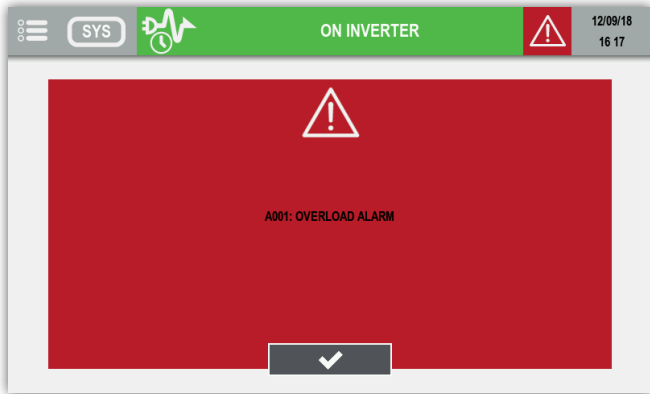
## 8.5 Alarms management

### 8.5.1 Alarm report

The alarm icon is present if at least one alarm is present.  
Tap on the icon to open the alarm list.

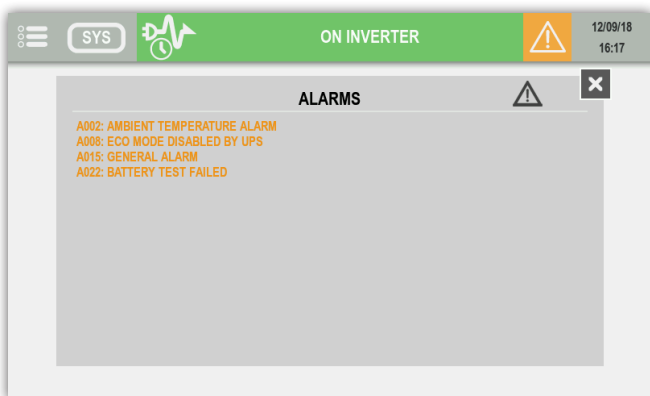
### 8.5.2 Alarm popup

In case of critical alarm a popup message appears and the buzzer is running according its settings.  
The highest priority alarm is displayed.






Tap on valid button to stop the buzzer and to close the popup message. The alarm page is automatically display after this action.

### 8.5.3 Alarm page



#### Filtering

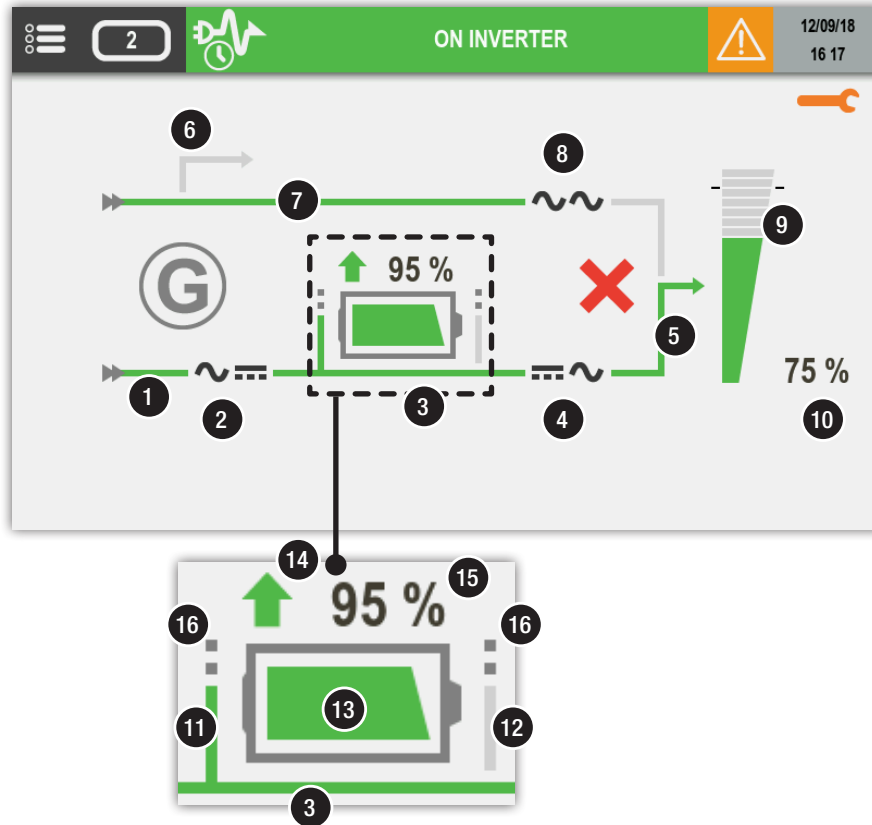
-  List all active alarms
-  List all active preventive alarms
-  List all active critical alarms

#### Popup alarm for preventive alarm

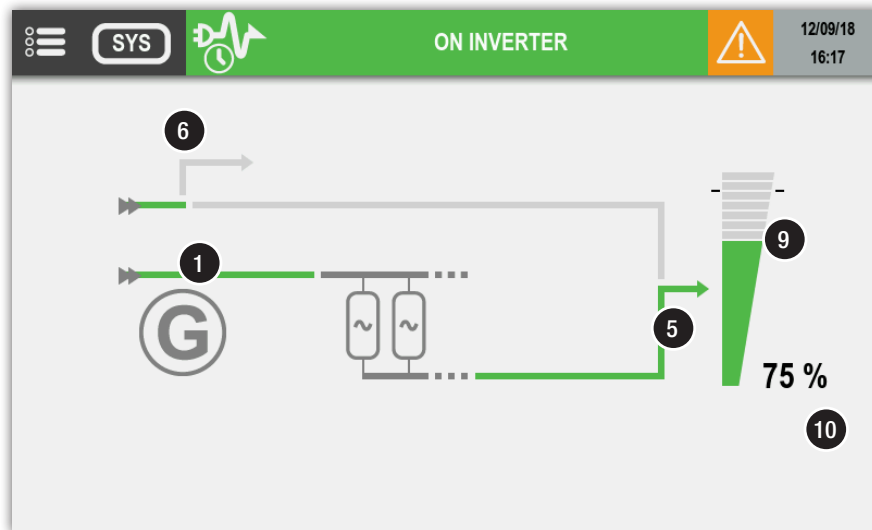
In USER PARAMETERS menu, PREFERENCES item gives the possibility to enable popup alarm also with preventive alarms.



















## 8.6 Synoptic animation

- Stand alone UPS or unit view



- UPS parallel system: System view

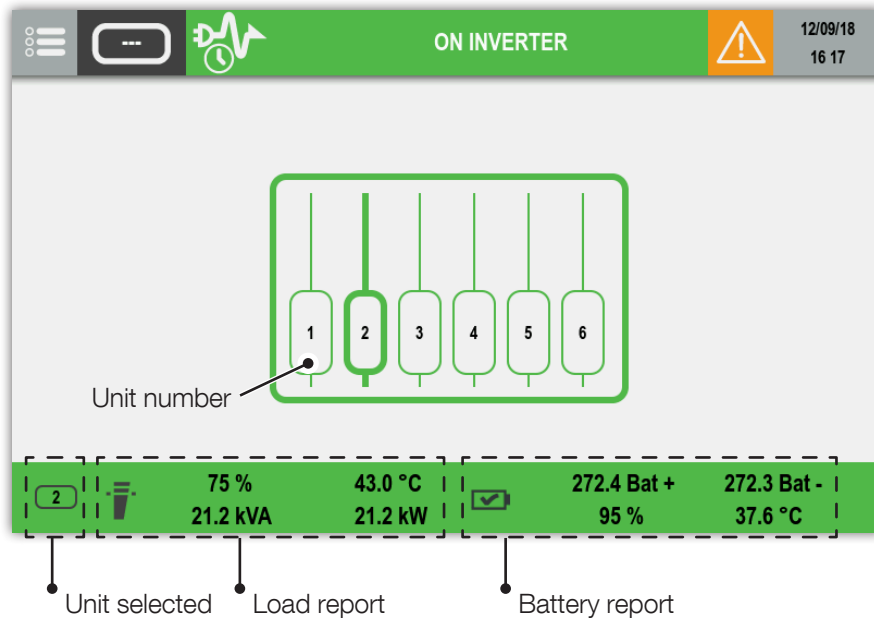


| Item | Description  | Rules of animation  |   |  |  | Touch actions                        |
|------|--|---|---|--|--|--------------------------------------|
|      |  | Grey  | Green   | Yellow   | Red  |                                      |
| 1    | Rectifier input supply   | Not present   | Present   | Out of tolerance   | -  | -                                    |
| 2    | Rectifier status   | Normal status<br>              | -   | Preventive alarm<br>      | Critical alarm<br>      | Access to input measurements page    |
| 3    | DC voltage bus   | DC voltage absent   | DC voltage presence   | -  | -  | -                                    |
| 4    | Inverter status  | Normal status<br>              | -   | Preventive alarm<br>      | Critical alarm<br>      | Access to inverter measurements page |
| 5    | Inverter output  | Inverter OFF  | Inverter ON   | Inverter on battery  | -  | -                                    |
| 6    | Maintenance bypass *   | MBP present   | -   | Load on maintenance bypass   | -  | -                                    |
| 7    | Bypass input *   | Not present   | Present   | Out of tolerance   | -  | -                                    |
| 8    | Bypass status *  | Normal status<br>              | -   | Preventive alarm<br>      | Critical alarm<br>      | Access to bypass page                |
| 9    | Load rate symbol   | No load<br>                  | Fill-up to 95%<br>   | Fill-up to 110%<br>     | Fill-up over 110%<br> | Access to output measurements pages  |
| 10   | Load rate value  | Instantaneous value. displayed if value > 0   |   |  |  | -                                    |
| 11   | DC battery input **  | DC voltage absent   | DC voltage presence   | BCR function running   | -  | -                                    |
| 12   | DC battery output **   | DC voltage absent   | DC voltage presence   | Inverter on battery  | -  | -                                    |
| 13   | Battery indicator **   | -   | Fill-up to 100%<br>  | Fill-up to 45%<br>      | Fill-up to 15%<br>    | Access to bat. measurements page     |
| 14   | Battery charging / discharging **                                      | -   | Battery charging<br> | Battery discharging<br> | -  | -                                    |
| 15   | Battery level or remaining backup time during battery discharge **     | Instantaneous value. displayed if value > 0<br>The backup time is no more displayed if it is below two minutes. |   |  |  | -                                    |
| 16   | Shared battery symbol not present if each unit has its own battery. ** |   |   |  |  | -                                    |

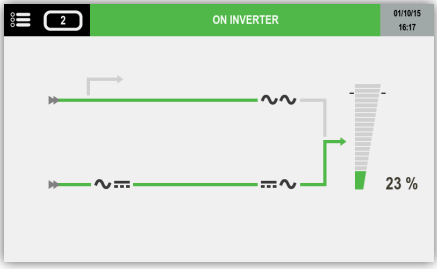
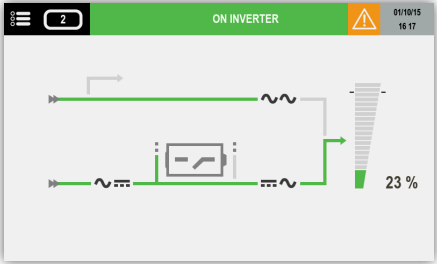
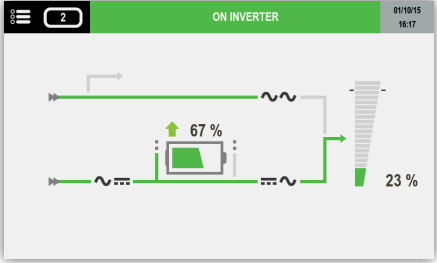
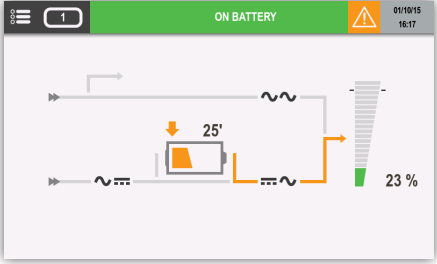
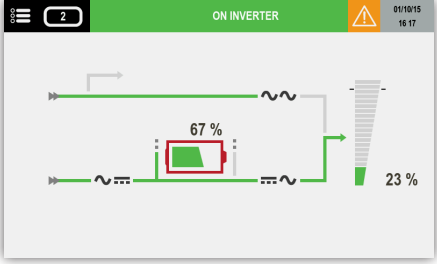
\* Element disappears if converter mode is active

\*\* Not present if batteries are not present

• UPS parallel system: Units overview



• Battery animation

| Battery status  | DESCRIPTION   |
|---|---|
|    | <p>If battery is absent, the battery icon is not displayed</p>                |
|    | <p>If battery is present but not connected, the icon is displayed</p>         |
|   | <p>If the battery is present and charging, the arrow icon is displayed</p>    |
|  | <p>If the battery is present and discharging, the arrow icon is displayed</p> |
|  | <p>If a battery alarm has occurred, the red icon is displayed</p>             |

## 8.6.1 Additional icons



Bypass impossible



Bypass locked



“Genset Mode” when the gen set contact is active. Need ADC+SL correctly configured.



Maintenance alarm.  
Preventive maintenance is requested.

## 8.7 Event log page

| Date     | Time     | Code | Description                        | Status |
|----------|----------|------|------------------------------------|--------|
| 13/12/16 | 08:30:00 | S000 | LOAD PROTECTED BY INVERTER         | NO     |
| 31/12/16 | 08:31:05 | S112 | [1] IS AVAILABLE                   | YES    |
| 31/12/16 | 08:31:07 | A032 | RECTIFIER CRITICAL ALARM           | YES    |
| 31/12/16 | 08:31:09 | A064 | PROGRAMMABLE A064                  | YES    |
| 16/01/17 | 12:25:00 | A208 | PROGRAMMABLE S079                  | YES    |
| 17/01/17 | 13:40:00 | A176 | ALL UNITS OR MODULES ARE AVAILABLE | YES    |
| 18/01/17 | 16:30:00 | S000 | LOAD PROTECTED BY INVERTER         | NO     |
| 25/01/17 | 00:15:00 | A016 | BATTERY DISCONNECTED               | YES    |
| 15/01/17 | 10:20:00 | S000 | LOAD PROTECTED BY INVERTER         | NO     |
| 18/01/17 | 16:30:00 | S096 | [1] IS OPERATING                   | NO     |



Show STATUS events



Show ALARMS events

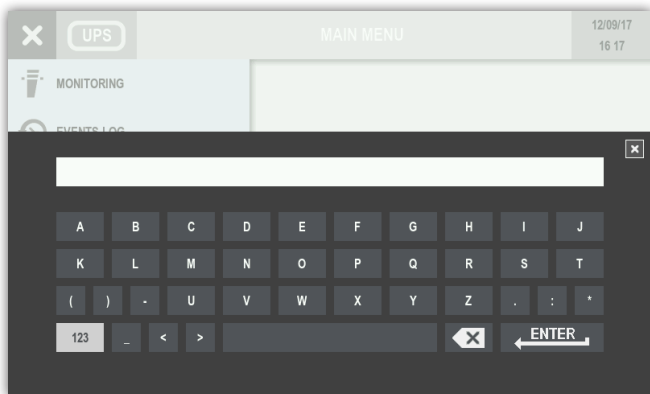


Show CONTROLS

## 8.8 Menu function descriptions

### 8.8.1 Entering passwords

Some operations and settings require a password in order to be performed.



Wildcard covering of the password is active by default.  
The default password is **SOCO**.

Press **ENTER** to confirm the selection or close the window to abort.

### 8.8.2 MONITORING menu

Submenu Alarm opens the alarm pages.

Submenu Status opens the status pages.

### 8.8.3 EVENTS LOG menu

This menu accesses the event log (Status and Alarms).

### 8.8.4 MEASUREMENTS menu

This menu displays all UPS measurements relating to the rectifier input stage, output stage, batteries, bypass input stage and inverter.

The pins on the bottom of the screen indicate whether or not there are more pages. Sliding to the right or left changes measurements page.

### 8.8.5 CONTROLS menu

This menu contains the commands that can be sent to the UPS. Some of them are password protected. If a command is not available, a COMMAND FAILURE message appears.

- UPS PROCEDURES: START/ON MAINTENANCE BYPASS/STOP see 'Operating procedures' chapter.
- BATTERY: BATTERY CONTROLS > BATTERY TEST: this function checks whether or not test conditions are available and returns the results.
- ECO MODE CONTROLS: this function sets/resets the **ECO MODE**.
- MAINTENANCE: Alarms reset: this function clears the alarm history, LED test: this function activates LED flashing for a few seconds.



## 8.8.6 UPS CONFIGURATION menu

- **CLOCK:** this function sets the date and time.
- **COM-SLOTS:** this function configures the RS485 modbus serial link.
- **REFERENCE:** this function gives the possibility to customised the unit reference and the location.
- **REMOTE:** this function enables controls from remote devices through MODBUS protocol (NET VISION for example).

## 8.8.7 USER PARAMETERS menu

This menu contains the different functions for users such as language, password, buzzer, display, preferences, touchscreen calibration.

## 8.8.8 SERVICE menu

This menu is reserved for support service personnel and holds UPS identification data and utilities for software upgrades.

- **UPS SETTINGS:** critical machine settings for output and backfeed. Some parameters cannot be modified when the UPS supplies the load by INVERTER or BYPASS.






|   |  |
|---|--|
|  | <b>Wrong configuration in UPS SETTINGS could damage the load or the batteries.</b> |
|---|--|

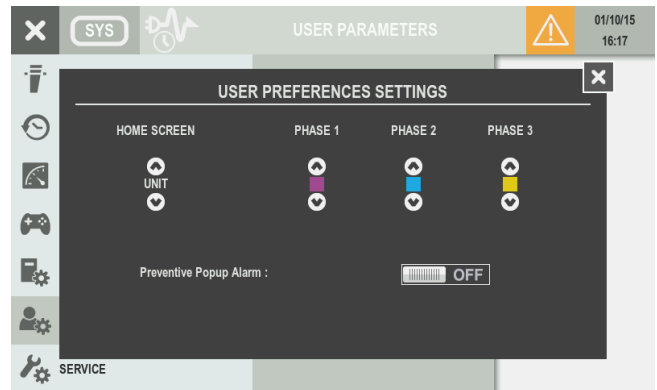
## 8.9 Additional user functions

### 8.9.1 Phase color modification

- Enter menu MAIN MENU > USER PARAMETERS > PREFERENCES



For each phase is possible to select a specific colour in a set of colour range. Those colours are applying in the measurements pages.

| Colour   | Default colour |
|--|----------------|
|  Yellow     | Phase 3        |
|  Orange     |                |
|  Red        |                |
|  Green      |                |
|  Light blue | Phase 2        |
|  Dark blue  |                |
|  Purple     | Phase 1        |
|  Brown      |                |
|  Light grey |                |
|  Dark grey  |                |
|  Black      |                |




The popup alarm appears in case of critical alarms. This function can be extended to preventive alarms by switching “Preventive Popup Alarm” to ON.

## 9. OPERATING PROCEDURES

|   |   |
|---|---|
|  | NOTE: before carrying out any operations on the unit read the 'Safety standards' chapter carefully. |
|  | NOTE: with the stop procedure the load will be disconnected.  |

### 9.1 Switching ON

- Connect the mains and auxiliary mains to the UPS.
- Switch **ON** input switch **Q1**.
- Wait until display switch on.
- Enter MAIN MENU > CONTROLS > UPS PROCEDURES.


|   |   |
|---|---|
|  | NOTE: In parallel configuration the procedure must be performed from the system menu. |
|---|---|

- Select **START PROCEDURE** and press **ENTER**.
- Carry out the operations indicated on the display.


### 9.2 Switching OFF

This operation interrupts the power supply to the load. The UPS and the battery charger will be shut down.

- Enter menu MAIN MENU > CONTROLS > UPS PROCEDURES.

|   |   |
|---|---|
|  | NOTE: In parallel configuration the procedure must be performed from the unit menu. |
|---|---|

- Select **STOP** and press **ENTER**.
- Wait approx. 2 minutes for the UPS shutdown.

|   |  |
|---|--|
|  | NOTE: the controlled shutdown of each server connected to the LAN can be managed by shutdown software. |
|---|--|

- Carry out the operations indicated on the display.

## 9.3 Bypass operations

### Switching onto maintenance bypass

This operation creates a direct connection between the UPS input and output, excluding the equipment control part. This operation is performed in the event of:

- standard maintenance.
- serious failure has occurred.



**WARNING! LOAD POWERED BY AUXILIARY MAINS:** your load is exposed to mains disturbances.

- Enter menu MAIN MENU > CONTROLS > UPS PROCEDURES.
- Select **ON MAINTENANCE BYPASS** and press **ENTER**.
- Carry out the operations indicated on the display.



**NOTE!**  
**When an external maintenance bypass is present:**

- carry out the procedure described above;
- close the external switch.

### Switching on from maintenance bypass

- Put switch **Q1** into position **1** (mains ON).
- Wait for the display to switch on.
- Enter menu MAIN MENU > CONTROLS > UPS PROCEDURES.



**NOTE:** In parallel configuration the procedure must be performed from the system menu.

- Select **START PROCEDURE** and press **ENTER**.
- Carry out the operations indicated on the display.



**NOTE!**  
When an external maintenance bypass<sup>(1)</sup> is present, put the switch to position 0 (OFF).



1. Not monitored by the UPS or by the parallel system.

## 9.4 Extended out of service

When the UPS is deactivated for some time, the batteries must be recharged regularly. They should be recharged every three months.





- Check that output switches **Q3** and **Q5** are **OFF**.
- Connect the mains and auxiliary mains to the UPS.
- Switch **ON** input switch **Q1**.
- Wait until displays switch on.
- Enter menu MAIN MENU > CONTROLS > UPS PROCEDURES.
- Select START and press ENTER.
- Carry out the operations indicated on the display.
- Close the external battery breaker/fuses.
- Wait until the batteries are fully charged. Check in the menu MAIN MENU > MEASUREMENTS > BATTERY MEASUREMENTS.
- Open the external battery breaker/fuses.
- Switch **OFF** input switch **Q1**.

## 9.5 Emergency shutdown

|  |  |
|--|--|
|   | <b>NOTE!</b><br>This operations interrupts the supply to the output load from both inverters and automatic bypass.   |
|  | If the UPS is operating from the maintenance bypass with the mains present, the emergency shutdown does not interrupt the power supply to the load. In emergency conditions all power supplies upstream of the UPS must be disconnected. |

### UPS power OFF

Put **Q3** to position 0 when it's necessary to interrupt the power supply quickly.

|   |   |
|---|---|
|  | <b>WARNING!</b><br>In parallel configuration open the system shutdown switch  . |
|  | <b>NOTE!</b><br>This operations interrupts the supply to the output load from both inverters and automatic bypass.  |
|  | To restart the UPS, reset the alarm after the U.P.O activation.   |

### Remote UPS power OFF

It is possible to interrupt the power supply to the output load using the ADC+SL card. Refer to 'Standard features and option' chapter.

# 10. OPERATING MODES

## 10.1 On line mode

A special feature of the UPS is the ONLINE double conversion in conjunction with low distortion mains power absorption. In ON LINE mode, the UPS can supply a voltage that is fully stabilised in frequency and amplitude, regardless of any interference in the mains power supply, within the most stringent classification of UPS regulations.

ON LINE operation provides three operating modes according to mains and load conditions:

- Inverter mode

This is the most frequent operating condition: energy is drawn from the primary mains power supply and converted and used by the inverter to generate the output voltage to power the connected loads.

The inverter is constantly synchronised in frequency with the auxiliary mains to enable load transfer (due to an overload or inverter shutdown) without any break in the power supply to the load.

The battery charger supplies the energy required to maintain or recharge the battery.

- Bypass mode

In the event of inverter failure, the load is automatically transferred onto the auxiliary mains without any interruption in the power supply.

This procedure may occur in the following situations:

- in the event of a temporary overload, the inverter continues to power the load. If the condition persists, the UPS output is switched on to the auxiliary mains via automatic bypass. Normal operation, which is from the inverter, returns automatically a few seconds after the overload disappears.
- when the voltage generated by the inverter goes outside the limits due to a major overload or a fault on the inverter.
- when the internal temperature exceeds the maximum value allowed.

- Battery mode

In the event of a mains failure (micro interruptions or extended power cuts), the UPS continues to power the load using the energy stored in the battery.

## 10.2 High efficiency mode

The UPS has a selectable, programmable economy operating mode (ECO MODE) that can increase overall efficiency by up to 99% for energy saving purposes. If the power supply fails, the UPS will automatically switch onto the inverter and continue to supply power to the load by drawing energy from the battery.

This mode does not provide perfect stability in frequency and voltage like the ON LINE mode. Therefore the use of this mode should be carefully evaluated according to the level of protection required by the application. With the optional board Net Vision specific daily or weekly time intervals can be selected and programmed to power applications directly from the auxiliary mains.

ECO MODE operation provides very high efficiency, since the application is powered directly from the auxiliary mains via the automatic bypass under normal operating conditions.

To activate follow the correct procedure in the control panel.

## 10.3 Converter mode

In converter mode the UPS can supply a fully stabilised sinusoidal output voltage with a different frequency from the input power line (50 Hz or 60 Hz is available as output frequency value).



**NOTE: only set this mode on UPS units with the auxiliary mains (AUXILIARY MAINS) disconnected! Do not set this mode on UPS units with common mains lines as it could damage the load!**

## 10.4 Operation with maintenance bypass

If the internal maintenance bypass is activated using the appropriate procedure, the load is powered directly from the maintenance bypass, while the UPS is separated from the power supply and can be switched off.











This operating mode can be selected for maintenance to be carried out on the system, so that the necessary actions can be performed by service personnel without having to disconnect the power supply to the load.

## 10.5 Operation with motor generator (GENSET)

The UPS can be operated in conjunction with a generator (GENSET) over the ADC+SL card (refer to 'Standard features and option' chapter). With a generator, the frequency and voltage ranges of the auxiliary mains can be increased to accept the instability of the GENSET and at the same time to avoid operation from the battery or risks of out-of-synchronisation switching on to the bypass.

# 11. STANDARD FEATURES AND OPTION

| Availability |                          |
|--------------|--------------------------|
| ●            | Factory-installed option |
| ○            | Available as option      |
| –            | Not available            |
| STD          | Standard feature         |

| Features   | MASTERYS GP4       |                    |                    |                    | Note   |
|--|--------------------|--------------------|--------------------|--------------------|--|
|  | 60-80 kVA          |                    | 100-120 kVA        | 160 kVA            |  |
|  | External batteries | Internal batteries | External batteries | External batteries |  |
| <b>Battery Option</b>                                      |                    |                    |                    |                    |  |
| Additional charger   | ●○                 | –                  | ●○                 | ●○                 |   Kit for Rectifier Neutral creation |
| <b>Communication Option</b>                                |                    |                    |                    |                    |  |
| ACS card<br><i>(Automatic Cross Synchronisation)</i>       | ●○                 | ●○                 | ●○                 | ●○                 |  |
| ADC+SL card<br><i>(Advanced Dry Contact + Serial Link)</i> | ○                  | ○                  | ○                  | ○                  |  |
| LIB-ADC<br><i>(Lithium Ion Battery interface)</i>          | ○                  | ○                  | ○                  | ○                  |  |
| Temperature sensor   | ○                  | ○                  | ○                  | ○                  |   ADC+SL card                      |
| Remote touch-screen display                                | ○                  | ○                  | ○                  | ○                  |   ADC+SL card                    |
| BACnet card  | ○                  | ○                  | ○                  | ○                  |  |
| Modbus TCP card  | ○                  | ○                  | ○                  | ○                  |  |
| Net Vision card  | ○                  | ○                  | ○                  | ○                  |  |
| EMD<br><i>(Environmental Monitoring Device)</i>            | ○                  | ○                  | ○                  | ○                  |   Net Vision card                |
| PROFIBUS protocol interface                                | ○                  | ○                  | ○                  | ○                  |   ADC+SL card                    |

| Features                                     | MASTERYS GP4       |                    |                    |                    | Note   |
|--|--------------------|--------------------|--------------------|--------------------|--|
|  | 60-80 kVA          |                    | 100-120 kVA        | 160 kVA            |  |
|  | External batteries | Internal batteries | External batteries | External batteries |  |
| <b>Electrical Option</b>                     |                    |                    |                    |                    |  |
| Parallel card                                | ●○                 | ●○                 | ●○                 | ●○                 | ⚠️ ❌ Cold start  |
| Kit for Parallel Configuration (C7)          | –                  | –                  | ●○                 | ●○                 | ⚠️ ⓘ Parallel card   |
| External Isolation Transformer               | –                  | –                  | ○                  | –                  |  |
| IMD<br><i>(Insulation Monitoring Device)</i> | –                  | –                  | ○                  | –                  | ⚠️ ⓘ External Isolation Transformer  |
| External Maintenance Bypass                  | ○                  | ○                  | ○                  | –                  |  |
| Kit for TN-C / Neutral-Ground connection     | ●○                 | ●○                 | ●○                 | ●○                 | ⚠️ ❌ Kit for Rectifier Neutral creation  |
| Internal Backfeed Protection                 | ●                  | ●                  | ●                  | ●                  |  |
| Kit For Common Mains                         | ○                  | ○                  | ○                  | ○                  | ⚠️ ❌ Kit for Rectifier Neutral creation  |
| Kit for Rectifier Neutral creation           | ●                  | –                  | ●                  | ●                  | ⚠️ ❌ Kit for TN-C / Neutral-Ground connection<br>⚠️ ❌ Kit For Common Mains<br>❌ Additional charger |
| Redundant Bypass Ventilation                 | ●                  | ●                  | ●                  | ●                  |  |
| <b>Mechanical Option</b>                     |                    |                    |                    |                    |  |
| Option slots 3                               | ●                  | –                  | ●                  | STD                |  |
| Anti-vermin protection                       | ●                  | ●                  | ●                  | ●                  |  |
| Kit for IP21                                 | ○                  | ○                  | ○                  | ○                  | ⚠️ ❌ Top air exhaust kit<br>❌ Top entry cables   |
| Seismic kit                                  | ●                  | –                  | ●                  | ●                  | ⚠️ ❌ Top entry cables  |
| "T" cabinet                                  | –                  | STD                | ●                  | STD                |  |
| Top air exhaust kit                          | –                  | –                  | ●                  | ●                  | ⓘ "T" cabinet<br>⚠️ ❌ Kit for IP21<br>❌ Top entry cables   |
| Top entry cables                             | –                  | –                  | ○                  | ○                  | ⓘ "T" cabinet<br>⚠️ ❌ Seismic kit<br>❌ Kit for IP21<br>❌ Top air exhaust kit                       |
| <b>Other</b>                                 |                    |                    |                    |                    |  |
| Cold start                                   | ●○                 | ●○                 | ●○                 | ●○                 | ⚠️ ❌ Parallel card   |

ⓘ Required option

❌ Incompatible option

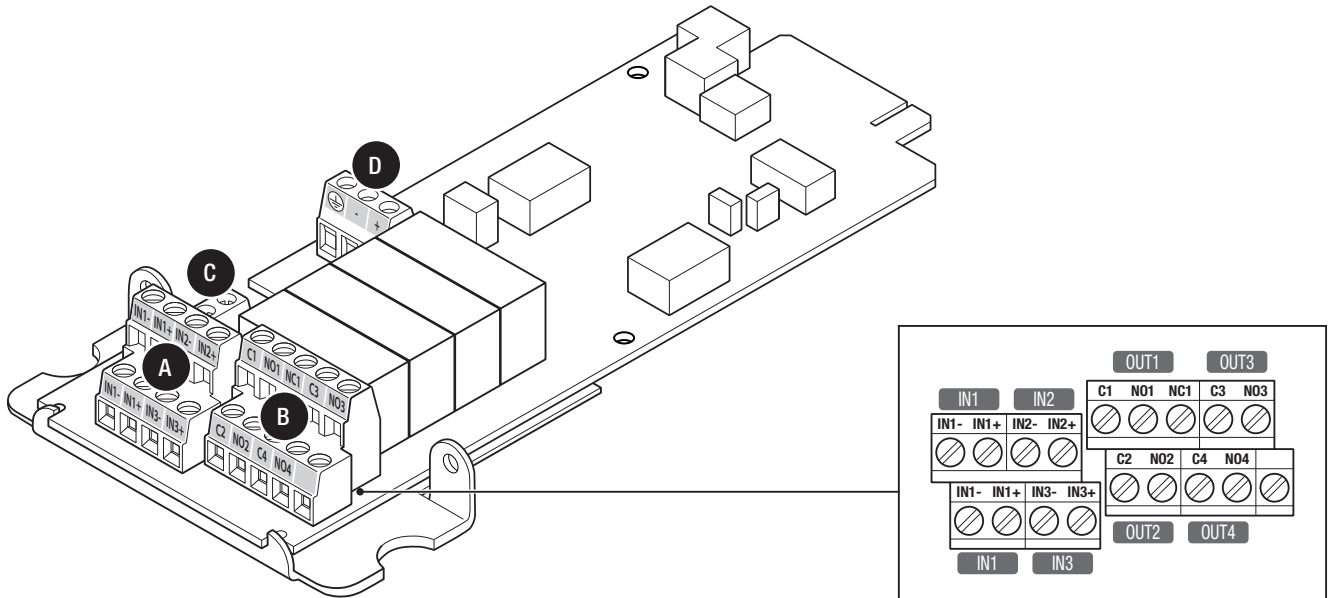


## 11.1 ADC+SL card

The ADC+SL (Advanced Dry Contact + Serial Link) is a slot optional board that provides:

- 4 relays for external device activation (can be set as normally closed or normally open).
- 3 free inputs to report external contacts to UPS.
- 1 connector for external battery temperature sensor (optional).
- RS485 insulated serial link providing MODBUS RTU protocol.
- 2 LEDs indicating board status.

The board is plug&play: the UPS is able to recognise its presence and configuration. It is possible to create a custom operation mode through after sales service.



### KEY

- A** 3 free inputs to link external contacts to UPS.
- B** 4 relays for external device activation.
- C** 1 connector for external temperature sensor.
- D** RS485 insulated serial link.



### NOTE!

If the board is removed while operating, an alarm is flagged on the control panel. Perform an "Alarm reset" control to cancel it.

### Input

- Free voltage loop.
- INx+ has to be connected to INx- to close the loop on **A** connector.
- Inputs must be isolated with basic insulation from a primary circuit up to 277 V.
- IN1 is duplicated, giving the possibility to link the UPS POWER OFF signal to other equipment, for example.

### Relay outputs

- Contact voltage guaranteed at 277 V (AC) / 25 V (DC) – 4 A (for higher voltage, please contact the manufacturer).
- Relay 1 gives the possibility of choosing between normally closed (NC1) or normally open (NO1) position. Relays 2, 3 and 4 only have normally open position (NOx).
- On connector **B**, Cx means common, NOx means normally open position.

**Configuration 1** **STANDARD configuration (default)**

| IN/OUT  | DESCRIPTION                        | ACTIVATION DELAY (s) | REMARK <sup>(1)</sup>                                   | INPUT TYPE        | STATE                |
|---------|------------------------------------|----------------------|---|-------------------|----------------------|
| IN1     | UPS POWER OFF                      | 1                    | Command sent to UPS <sup>®</sup>                        | Close to activate | Normally open        |
| IN2     | GEN SET ON                         | 1                    | Activate S023 status                                    | Open to activate  | Normally closed      |
| IN3     | INSULATION FAULT                   | 10                   | Activate A026   | Open to activate  | Normally closed      |
| RELAY 1 | GENERAL ALARM                      | 10                   | (NC1 or NO1 position can be chosen)<br>Relating to A015 |                   | Normally open/closed |
| RELAY 2 | OPERATING ON BATTERY               | 30                   | Relating to A019  |                   | Normally open        |
| RELAY 3 | END OF BACK-UP TIME                | 10                   | Relating to A017  |                   | Normally open        |
|         | IMMINENT STOP                      | 10                   | Relating to A000  |                   | Normally open        |
| RELAY 4 | LOAD SUPPLIED BY AUTO-MATIC BYPASS | 10                   | Relating to S002  |                   | Normally open        |

**Configuration 2** **OPTIONS SUPERVISOR configuration**

| IN/OUT  | DESCRIPTION          | ACTIVATION DELAY (s) | REMARK <sup>(1)</sup>                                   | INPUT TYPE        | STATE                |
|---------|----------------------|----------------------|---|-------------------|----------------------|
| IN1     | UPS POWER OFF        | 1                    | Command sent to UPS <sup>®</sup>                        | Close to activate | Normally open        |
| IN2     | FAN FAILURE          | 10                   | Activate A054   | Close to activate | Normally open        |
| IN3     | BATTERY DISCONNECTED | 10                   | Activate A016   | Open to activate  | Normally closed      |
| RELAY 1 | GENERAL ALARM        | 10                   | (NC1 or NO1 position can be chosen)<br>Relating to A015 |                   | Normally open/closed |
| RELAY 2 | OPERATING ON BATTERY | 30                   | Relating to A019  |                   | Normally open        |
| RELAY 3 | REDUNDANCY LOST      | 10                   | Relating to A006  |                   | Normally open        |
| RELAY 4 | BATTERY DISCONNECTED | 1                    | Relating to A016  |                   | Normally open        |

**Configuration 3** **SAFETY configuration**

| IN/OUT  | DESCRIPTION            | ACTIVATION DELAY (s) | REMARK <sup>(1)</sup>                                   | INPUT TYPE        | STATE                |
|---------|------------------------|----------------------|---|-------------------|----------------------|
| IN1     | UPS POWER OFF          | 1                    | Command sent to UPS <sup>®</sup>                        | Close to activate | Normally open        |
| IN2     | INSULATION FAULT       | 1                    | Activate A026   | Open to activate  | Normally closed      |
| IN3     | CHARGER DISABLE/ENABLE | 10                   | Command sent to UPS <sup>®</sup>                        | Open to activate  | Normally closed      |
| RELAY 1 | GENERAL ALARM          | 10                   | (NC1 or NO1 position can be chosen)<br>Relating to A015 |                   | Normally open/closed |
| RELAY 2 | UPS POWER OFF          | 1                    | Relating to A059  |                   | Normally open        |
| RELAY 3 | END OF BACK-UP TIME    | 10                   | Relating to A017  |                   | Normally open        |
|         | IMMINENT STOP          | 10                   | Relating to A000  |                   | Normally open        |
| RELAY 4 | INSULATION FAULT       | 1                    | Relating to A026  |                   | Normally open        |

**Configuration 4** **ENVIRONMENTAL configuration**

| IN/OUT  | DESCRIPTION               | ACTIVATION DELAY (s) | REMARK <sup>(1)</sup>                                   | INPUT TYPE        | STATE                |
|---------|---------------------------|----------------------|---|-------------------|----------------------|
| IN1     | UPS POWER OFF             | 1                    | Command sent to UPS <sup>®</sup>                        | Close to activate | Normally open        |
| IN2     | PROGRAMMABLE ALARM        | 10                   | Activate A064   | Open to activate  | Normally closed      |
| IN3     | BATTERY TEMPERATURE ALARM | 10                   | Activate A020   | Open to activate  | Normally closed      |
| RELAY 1 | GENERAL ALARM             | 10                   | (NC1 or NO1 position can be chosen)<br>Relating to A015 |                   | Normally open/closed |
| RELAY 2 | BATTERY TEMPERATURE ALARM | 10                   | Relating to A020  |                   | Normally open        |
| RELAY 3 | REDUNDANCY LOST           | 10                   | Relating to A006  |                   | Normally open        |
|         | OVERLOAD                  | 10                   | Relating to A001  |                   | Normally open        |
| RELAY 4 | PROGRAMMABLE ALARM        | 10                   | Relating to A064  |                   | Normally open        |

**Configuration 5** **EXTERNAL MAINTENANCE BYPASS configuration**

| IN/OUT  | DESCRIPTION                        | ACTIVATION DELAY (s) | REMARK <sup>(1)</sup>                                   | INPUT TYPE        | STATE                |
|---------|------------------------------------|----------------------|---|-------------------|----------------------|
| IN1     | UPS POWER OFF                      | 1                    | Command sent to UPS <sup>®</sup>                        | Close to activate | Normally open        |
| IN2     | GEN SET ON                         | 1                    | Activate S023 status                                    | Open to activate  | Normally closed      |
| IN3     | EXTERNAL MAINTENANCE BYPASS CLOSED | 10                   | Activate S018 status                                    | Open to activate  | Normally closed      |
| RELAY 1 | GENERAL ALARM                      | 10                   | (NC1 or NO1 position can be chosen)<br>Relating to A015 |                   | Normally open/closed |
| RELAY 2 | OPERATING ON BATTERY               | 30                   | Relating to A019  |                   | Normally open        |
| RELAY 3 | END OF BACK-UP TIME                | 10                   | Relating to A017  |                   | Normally open        |
|         | IMMINENT STOP                      | 10                   | Relating to A000  |                   | Normally open        |
| RELAY 4 | LOAD SUPPLIED BY AUTO-MATIC BYPASS | 10                   | Relating to S002  |                   | Normally open        |

1. The acronyms mentioned are linked to MODBUS table (Snnn=Status/Annn=Alarm).
  2. A self-locking emergency push button must be used for the UPS Power Off input.
- Note: custom configuration is also available. For more information contact Socomec.

### RS485 serial link

- Insulated RS485, protected against over voltage. Only for local bus purposes; maximum ~500 m.
- Pull up and pull down line resistor XJ1 (failsafe biasing): jumper open by default.
- Possibility of fixing the RS485 cable to the board.
- Cable type required: twister pair cable + shield to connect to ground. (AWG 24, 0.2 mm<sup>2</sup> for example).

The INPUT and RELAYS are managed with information coming from the UPS.



#### NOTE!

Inputs and relays can be re-programmed depending on requirements.  
Contact your SOCOMECEC after-sales service to change Input/Output programming.

Information coming from inputs can be reported in the UPS database for display on the mimic panel and is accessible on the MODBUS table.

The UPS can manage up to two ADC+SL option cards. The cards can be re-programmed for other uses.

In this specific case, the 2 serial links (SLOT 1 and SLOT 2) are independent.

### Modbus serial link

The RS485 provides MODBUS RTU protocol.

The description of MODBUS addresses and UPS database are described in the MODBUS user manual. All manuals are available on SOCOMECEC's web site ([www.socomec.com](http://www.socomec.com)).

### Serial link settings

COM1 relates to serial port on board in SLOT 1.

COM2 relates to serial port on board in SLOT 2.

COM3 relates to serial port on board in SLOT 3.

Settings are available via the mimic panel to configure:

- Baud rate
- Parity
- MODBUS slave number

### Board status

Board presence is reported through status S064 for slot 1, S065 for slot 2 and S068 for slot 3.

In the case of board failure, 'Option board alarm' (A062) occurs to prevent malfunctioning.

#### 11.1.1 Temperature sensor

The temperature sensor can be used to monitor the battery temperature.

The ADC+SL card can be ordered with or without the temperature sensor in kit.

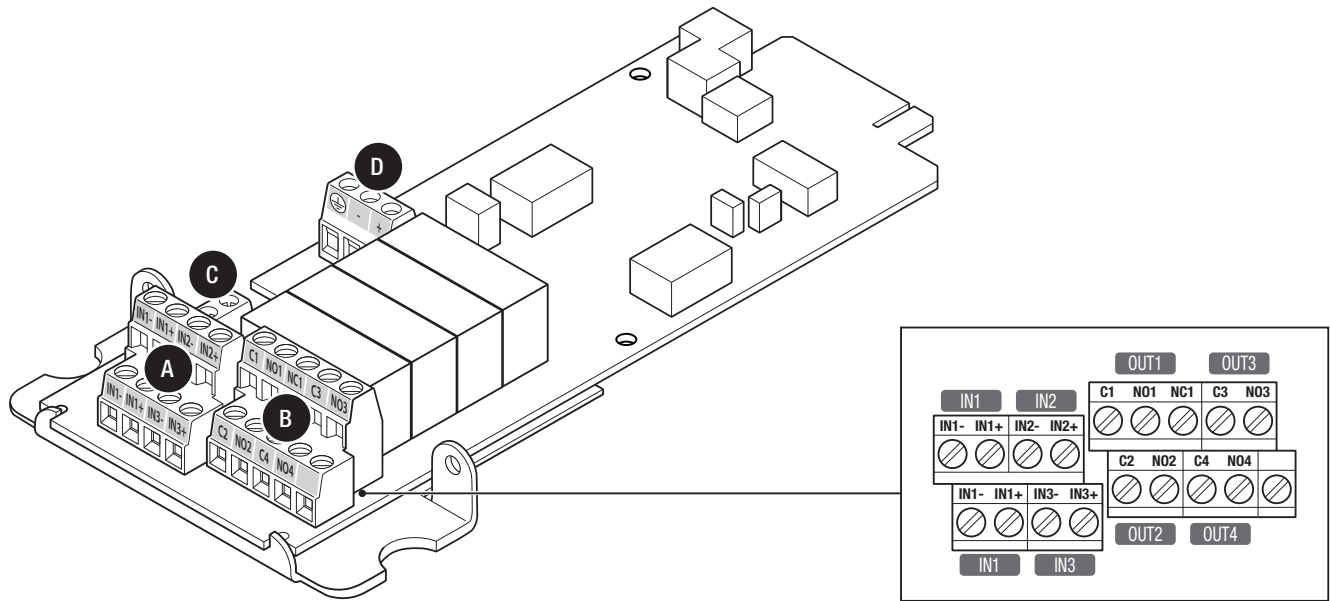
## 11.2 LIB-ADC CARD

The LIB-ADC (Lithium Ion Battery interface) is a slot optional board that provides:

- 4 relays for external device activation (can be set as normally closed or normally open)
- 3 inputs to report external contacts to UPS
- 1 connector for external temperature sensor (optional)
- RS485 insulated serial link providing MODBUS RTU protocol
- 4 leds indicating the board status and RS485 communication status

The input and output connections of this card are exclusively reserved for the LIB interface: they cannot be used for general purposes. Setting up the UPS and activation of the system must be done by qualified technicians.

Please contact the SOCOMEC service centre.



### KEY

- |   |   |
|---|---|
| <p><b>A</b> 3 inputs to link external contacts to UPS<br/>XB4 (reserved for LIB interface)</p> <p><b>B</b> 4 relays for external device activation<br/>XB3 (reserved for LIB interface)</p> | <p><b>C</b> 1 connector for external temperature sensor<br/>XB2 (reserved for LIB interface)</p> <p><b>D</b> RS485 insulated serial link<br/>XB1 (reserved for LIB interface)</p> |
|---|---|

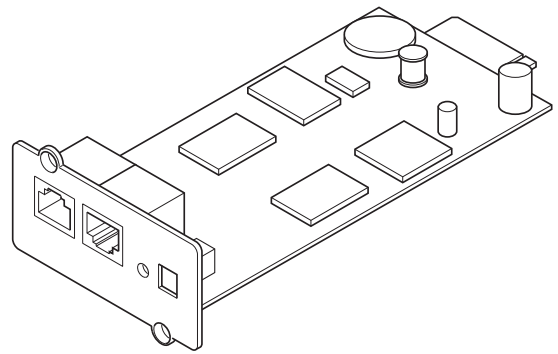
### DESCRIPTION

- Auto detect of the BMS connected.
- Smart interface with LIB system, thanks to the serial connection.
- Easy connection and configuration.
- BMS data tunneling feature for building management system.

## 11.3 Net Vision card

NET VISION is a communication and management interface designed for business networks. The UPS behaves exactly like a networked peripheral, it can be managed remotely, and allows the shutdown of network workstations.

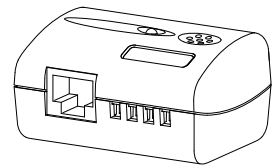
NET VISION allows a direct interface between the UPS and LAN network avoiding dependence on the server and support SMTP, SNMP, DHCP and many other protocols. It interacts via the web browser.



### 11.3.1 EMD

EMD (Environmental Monitoring Device) is a device to be used in conjunction with the NET VISION interface and provides the following features:

- temperature and humidity measurements + dry contact inputs,
- alarm thresholds configurable via Web browser,
- notification of environmental alarm via email and SNMP traps.

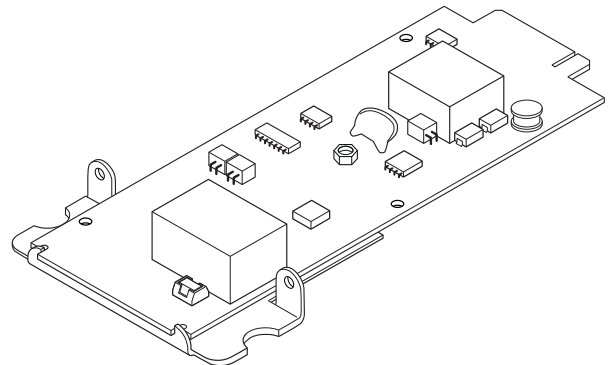


## 11.4 ACS card

ACS (Automatic Cross Synchronisation) card is used to receive a synchronisation signal from an external source and manage it for the UPS where it is installed, and provide a synchronising signal, where requested, to another UPS.

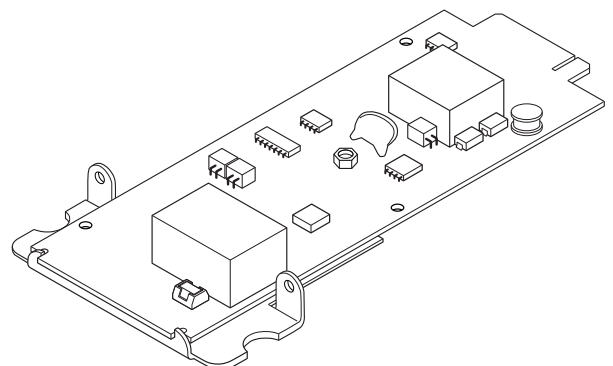
## 11.5 Modbus TCP card

With the MODBUS TCP card fitted in the options slot, the UPS can be monitored from remote stations using the appropriate protocol (MODBUS TCP - IDA).

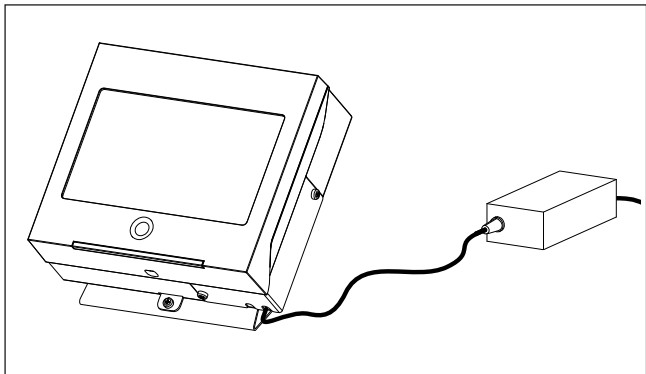


## 11.6 BACnet card

With the BACnet card fitted in the options slot, the UPS can be monitored from remote stations using the appropriate protocol (BACnet - IDA).



## 11.7 Remote touchscreen display



**NOTE!**  
Available only with ADC+SL option card.

## 11.8 PROFIBUS protocol interface

Socomec UPS can be provided with an interface of PROFIBUS ® DP slave type for the UPS to be connected to a PROFIBUS ® PLC.

PROFIBUS ® protocol is aimed at exchanging data between input/output monitoring devices and a master unit.

The frame exchanged with the PLC only manages input data comprising a maximum of 255 bytes. Controls that are considered as output data are not managed by means of the PROFIBUS ® coupler.

## 11.9 Software option

Visit [www.socomec.com](http://www.socomec.com) and enter DOWNLOAD > SOFTWARE > UPS SOFTWARE to find the communication software suitable for your requirements.



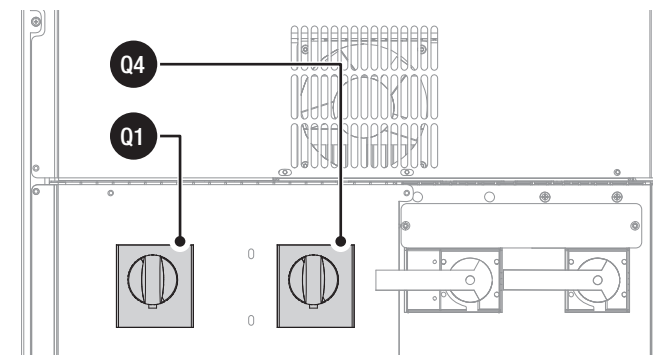
**NOTE!**  
Before performing any operations, check that the software is compatible with your UPS model.

## 11.10 Internal Backfeed Protection

Internal backfeed protection for Mains and Auxiliary Mains.

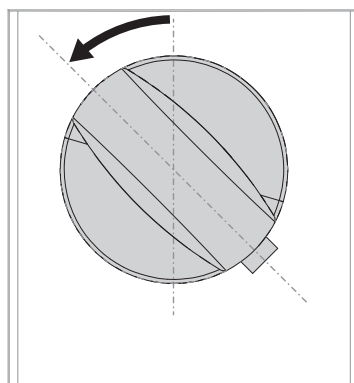
The Q1 Mains switch and the Q4 Auxiliary Mains switch have an integrated trip coil directly controlled from the UPS.

### 11.10.1 60-120 kVA



**Q1** Mains switch with integrated trip coil.

**Q4** Auxiliary Mains switch with integrated trip coil.

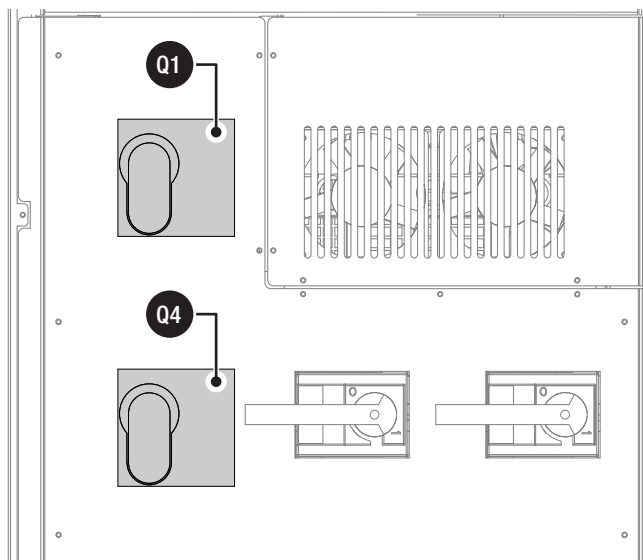


**TRIPPED**

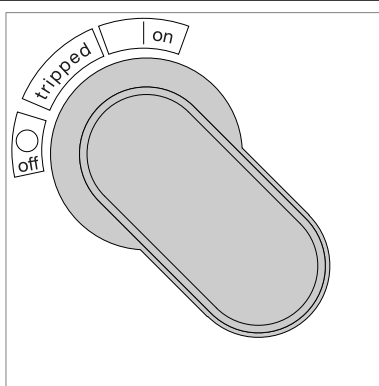
**TRIPPED POSITION** for **Q1** or **Q4** when backfeed alarm occurs.

To reset, turn to **OFF** position and then **ON** to restart.

## 11.10.2 160 kVA



- Q1** Mains switch with integrated trip coil.
- Q4** Auxiliary Mains switch with integrated trip coil.

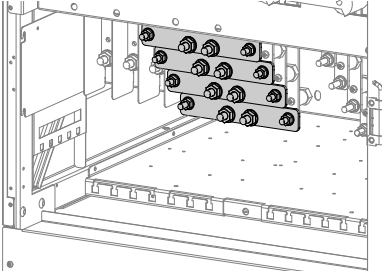
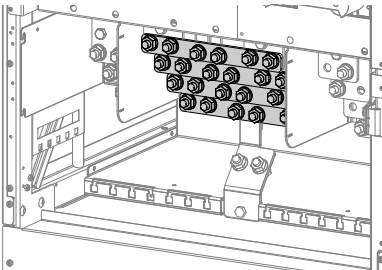
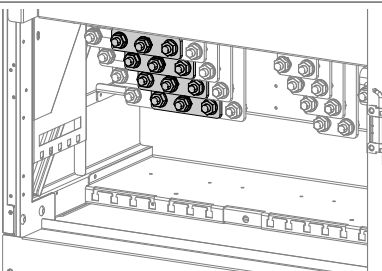


**TRIPPED**

**TRIPPED POSITION** for **Q1** or **Q4** when backfeed alarm occurs.  
To reset, turn to **OFF** position and then **ON** to restart.



## 11.11 Kit For Common Mains

| UPS         |  |
|-------------|--|
| 60-80 kVA   |  A technical line drawing showing the internal main busbar configuration for a 60-80 kVA UPS. The busbars are arranged in three horizontal rows. The top row has 6 busbars, the middle row has 6 busbars, and the bottom row has 6 busbars. Each busbar is connected to a terminal block on the right side of the cabinet. The busbars are supported by a metal frame. |
| 100-120 kVA |  A technical line drawing showing the internal main busbar configuration for a 100-120 kVA UPS. The busbars are arranged in two horizontal rows. The top row has 8 busbars and the bottom row has 8 busbars. Each busbar is connected to a terminal block on the right side of the cabinet. The busbars are supported by a metal frame.                                |
| 160 kVA     |  A technical line drawing showing the internal main busbar configuration for a 160 kVA UPS. The busbars are arranged in two horizontal rows. The top row has 8 busbars and the bottom row has 8 busbars. Each busbar is connected to a terminal block on the right side of the cabinet. The busbars are supported by a metal frame.                                   |

## 11.12 External Maintenance Bypass

The external maintenance bypass is designed to provide maximum system availability for critical equipment. It offers the possibility of transferring the load to an alternative power path allowing full isolation of the UPS. In this case the UPS can be turned off and removed without power interruption at the connected loads.

For further information contact SOCOMEC.

## 11.13 External Isolation Transformer

If an external isolation transformer cabinet is required, the following instructions should be followed:

- Refer to the relevant installation manual.
- See section on Electrical Installation for details about protection.
- The protection cable marked with the ground symbol is connected directly to the distribution panel.
- The transformer can either be connected to the UPS input or output.



The UPS must not be operated without the neutral connection to the input.  
The transformer cannot be connected to the output on individual UPS units connected in parallel configuration.

For connection details refer to the transformer terminal board diagram.

### 11.13.1 IMD

IMD (Insulation Monitoring Device) is recommended for IT systems.

## 11.14 Kit for Rectifier Neutral creation

For three wire input mains (without neutral) a neutral kit is available as an option. The neutral kit does not change the type of grounding system and it does not create galvanic insulation.

The input mains neutral bar is not available.



The input mains and auxiliary mains must be separate.  
The auxiliary mains must always have a neutral wire.  
The auxiliary mains neutral wire must be galvanically isolated from the PE.

## 11.15 Kit for TN-C / Neutral-Ground connection

To deal with different plant needs, a connection bar between Neutral and Protection Earth is available as an option (see figure). For further information contact SOCOMEC.

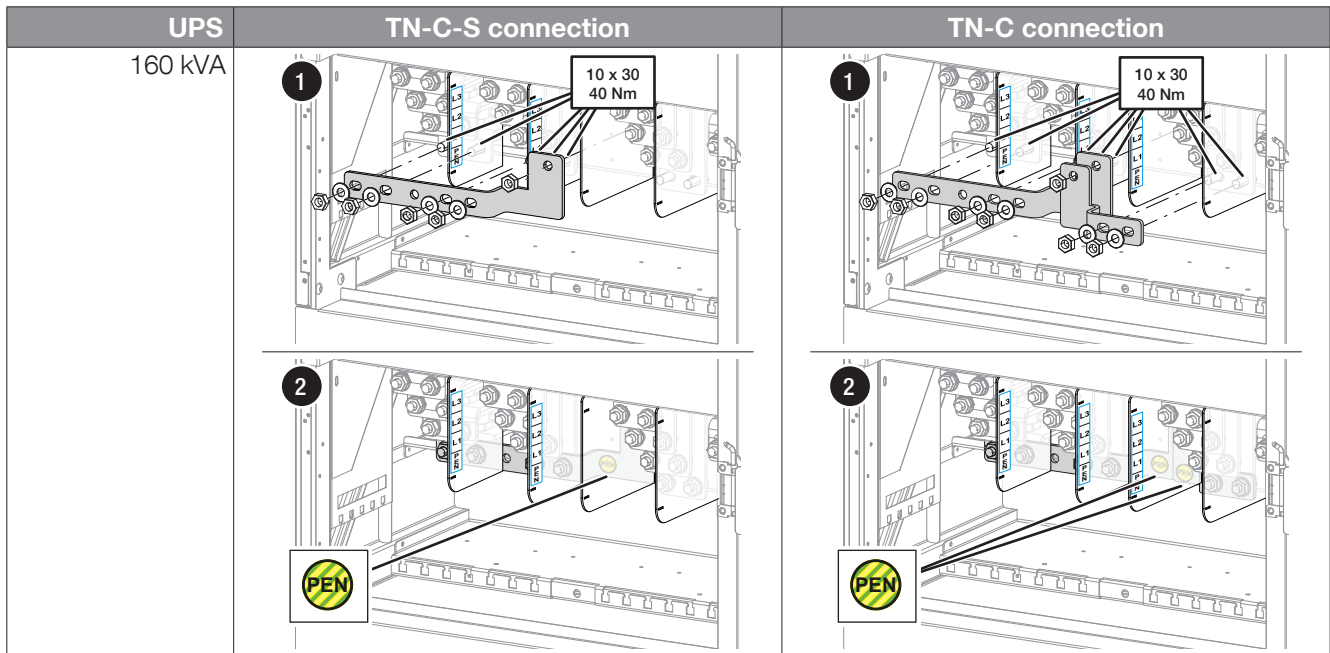


The UPS does not ensure continuity of the neutral conductor.  
The output neutral must not be used as a PEN connection for the load.



A PEN conductor is prohibited in the case of unbalanced and third harmonic current circulation.

| UPS         | TN-C-S connection | TN-C connection |
|-------------|-------------------|-----------------|
| 60-80 kVA   | <br>              | <br>            |
| 100-120 kVA | <br>              | <br>            |



## 11.16 Cold start

During a prolonged mains failure the load is supplied by the UPS until the protection threshold is reached and the UPS switches off.

With the cold start option enabled, the user has 2 hours time to disconnect the non-essential load and restart manually the UPS (START PROCEDURE via HMI) directly in Stored Mode (battery mode) of operation (Cold Start) in order to supply the indispensable load by exploiting the available residual energy in batteries.

NO retry is possible after the first Cold Start procedure.

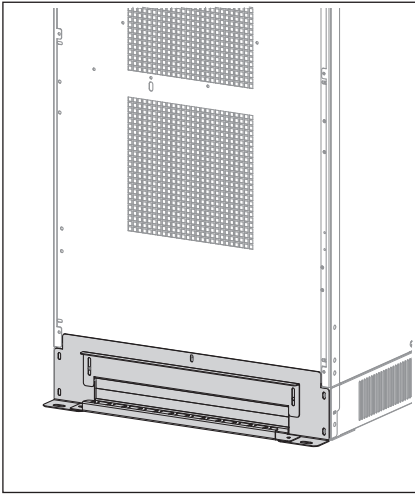


**Note:**  
This option can only be used for single UPS setups, not parallel configurations.  
For more information contact Socomec.

## 11.17 Redundant Bypass Ventilation

Redundant ventilation is available as an option to improve the reliability of the Bypass subset.  
For further information contact SOCOMEC.

## 11.18 Anti-vermin protection

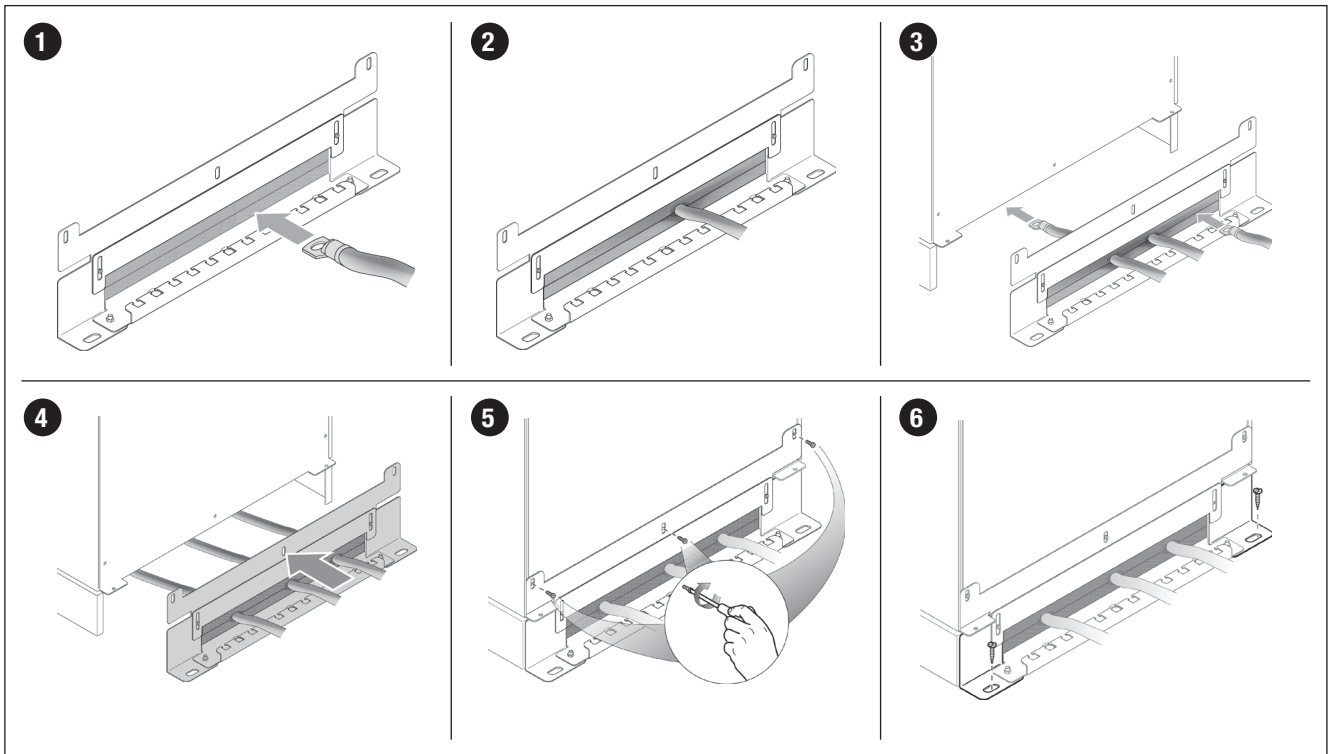


### NOTE!

The cables coming from the rear of the unit must pass through the appropriate gap.

This operation must be carried out:

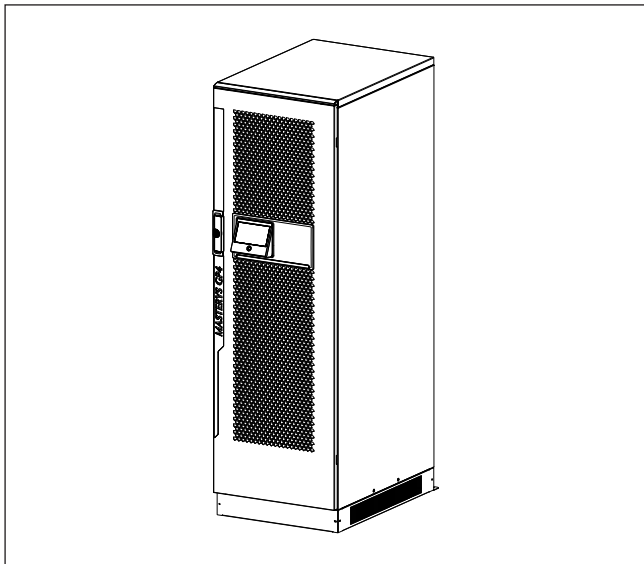
- before wiring operations;
- before securing the kit to the unit and the floor.



## 11.19 Seismic kit

The structure of the UPS is modified to allow it to operate in Zone 4 seismic activity installations (UBC-1997 Zone 4).

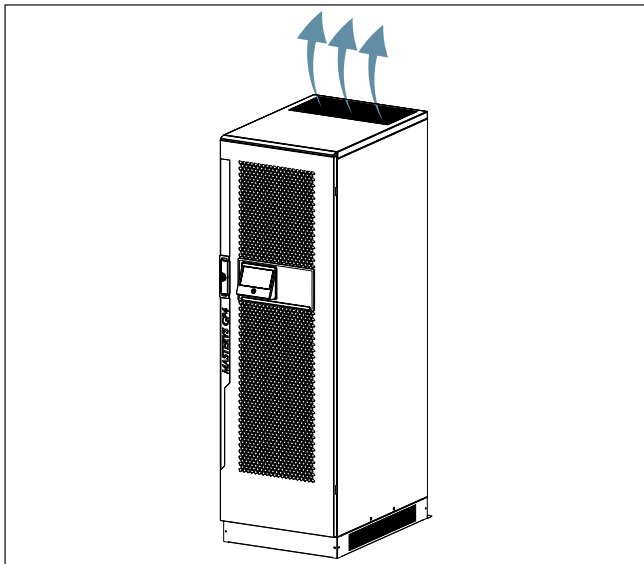
## 11.20 "T" cabinet



### Mechanical characteristics

|            |        |    |      |
|------------|--------|----|------|
| Dimensions | Height | mm | 1930 |
|------------|--------|----|------|

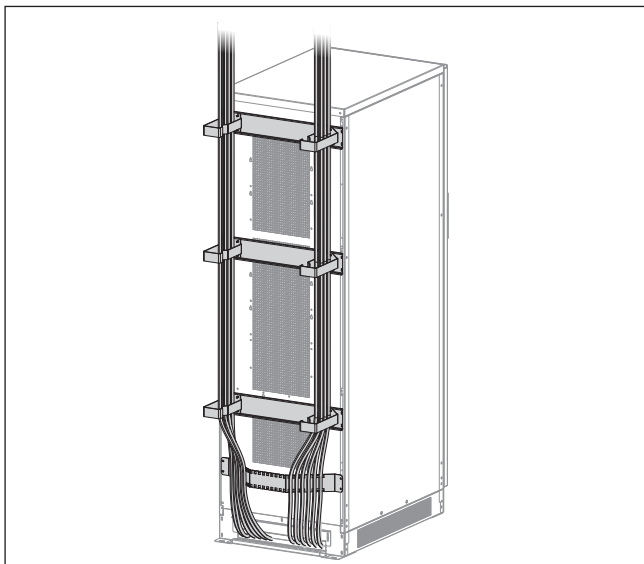
## 11.21 Top air exhaust kit



### Environment

|                                      |     |    |
|--------------------------------------|-----|----|
| Acoustic noise according to ISO 3746 | dBA | 70 |
|--------------------------------------|-----|----|

## 11.22 Top entry cables



### NOTE!

This option can only be used with flexible cables.

### Mechanical characteristics

|            |        |    |      |
|------------|--------|----|------|
| Dimensions | Width  | mm | 600  |
|            | Depth  |    | 1040 |
|            | Height |    | 1930 |

## 12. TROUBLESHOOTING

The alarm messages displayed enable immediate diagnosis.

Alarms are divided into two categories:

- Alarms relating to external UPS circuits: input mains, output mains, temperature and environment.
- Alarms relating to internal UPS circuits: in this case corrective action will be carried out by the After Sales Department.

The USB report makes it possible to have full information on what occurred. Refer to 'Display operation' chapter.

For other alarms that may appear please contact the Service Dept.

### 12.1 System alarms

|             |  |   |
|-------------|--|---|
| <b>A000</b> | <b>IMMINENT STOP</b>                   | <b>An imminent stop is about to happen. In few minutes the UPS will be shut down.</b><br>This can be caused by a critical alarm or a user request.                        |
| <b>A001</b> | <b>OVERLOAD ALARM</b>                  | The load is exceeding the UPS power specification. The machine will turn off. Reduce the load immediately.  |
| <b>A002</b> | <b>AMBIENT TEMPERATURE ALARM</b>       | Environmental temperature is too high. UPS functionality may be affected, if the condition last for prolonged time.   |
| <b>A003</b> | <b>TRANSFER LOCKED</b>                 | The UPS is unable to transfer the load between bypass and inverter.   |
| <b>A004</b> | <b>TRANSFER IMPOSSIBLE</b>             | Bypass is not available.  |
| <b>A005</b> | <b>INSUFFICIENT RESOURCES</b>          | Some components are not operational.  |
| <b>A006</b> | <b>REDUNDANCY LOST</b>                 | The redundant Unit is not available. Check individual unit alarms to locate which is excluded from the System.  |
| <b>A008</b> | <b>ECO MODE DISABLED BY UPS</b>        | Eco mode is disabled due to bypass failure.   |
| <b>A009</b> | <b>ENERGY SAVER DISABLED BY UPS</b>    | An event has occurred forcing the UPS to stop the energy saver function.  |
| <b>A012</b> | <b>MAINTENANCE ALARM</b>               | UPS needs routine maintenance. Please contact the Service Dept.   |
| <b>A013</b> | <b>REMOTE SERVICE ALARM</b>            | UPS needs immediate maintenance. Please contact the Service Dept.   |
| <b>A014</b> | <b>REMOTE SERVICE PREVENTIVE ALARM</b> | A non-critical alarm is present. Please contact the Service Dept.   |
| <b>A015</b> | <b>GENERAL ALARM</b>                   | An alarm is present.  |
| <b>A016</b> | <b>BATTERY DISCONNECTED</b>            | The battery is not connected to the UPS.  |
| <b>A017</b> | <b>BATTERY DISCHARGED</b>              | The battery charge level is low and reached a warning threshold.  |
| <b>A018</b> | <b>END OF BACK-UP TIME</b>             | Supply from batteries is close to finishing.  |
| <b>A019</b> | <b>OPERATING ON BATTERY</b>            | The UPS is running on battery. Load is supplied by batteries.   |
| <b>A020</b> | <b>BATTERY TEMPERATURE ALARM</b>       | Battery temperature is greater than the threshold. If temperature is measured using ADC+SL, verify NTC is still connected, otherwise, check the internal UPS temperature. |
| <b>A021</b> | <b>BATTERY ROOM ALARM</b>              | The battery cabinet temperature is too high.  |
| <b>A022</b> | <b>BATTERY TEST FAILED</b>             | The battery has failed the last battery test.   |
| <b>A026</b> | <b>INSULATION FAULT</b>                | There is an insulation problem with the plant. Verify input from ADC+SL.  |
| <b>A027</b> | <b>BATTERY ALARM</b>                   | A battery alarm is present. Maximum recharging time at two levels, or slow discharging time protection has occurred.  |
| <b>A032</b> | <b>RECTIFIER CRITICAL ALARM</b>        | There is a problem with the rectifier. Please contact the Service Dept.   |
| <b>A033</b> | <b>RECTIFIER PREVENTIVE ALARM</b>      | There is a non-critical problem with the rectifier. Please contact the Service Dept.  |
| <b>A035</b> | <b>RECTIFIER INPUT SUPPLY NOT OK</b>   | The input mains supply is out of tolerance. Verify that the input voltage and frequency are within the UPS ratings.   |



|      |                                  |  |
|------|----------------------------------|--|
| A037 | CHARGER CRITICAL ALARM           | There is a problem with the battery charger. Please contact the Service Dept.  |
| A038 | CHARGER PREVENTIVE ALARM         | Battery charger was blocked by a critical alarm, or Battery Voltage is too low after 16 hours of charging.               |
| A040 | INVERTER CRITICAL ALARM          | There is a problem with the inverter. Please contact the Service Dept.   |
| A041 | INVERTER PREVENTIVE ALARM        | There is a non-critical problem with the inverter. Check the fans are working properly. Please contact the Service Dept. |
| A043 | INVERTER IMMINENT STOP           | Imminent redundancy was lost due to overload, unit imminent stop, etc.   |
| A046 | PARALLEL BOARD CRITICAL ALARM    | There is a problem with the Parallel Board. Please contact the Service Dept.   |
| A047 | PARALLEL BOARD PREVENTIVE ALARM  | There is a non-critical problem with the Parallel Board. Please contact the Service Dept.                                |
| A048 | BYPASS CRITICAL ALARM            | There is a problem with the bypass. Please contact the Service Dept.   |
| A049 | BYPASS PREVENTIVE ALARM          | There is a non-critical problem with the bypass. Please contact the Service Dept.  |
| A050 | BYPASS INPUT SUPPLY NOT OK       | The auxiliary supply is out of tolerance. Verify that the input voltage and frequency are within the UPS ratings.        |
| A051 | PHASE ROTATION FAULT             | The auxiliary mains is not connected properly. Please check phase connection order is correct.                           |
| A052 | BYPASS BACK-FEED DETECTION       | There is a backfeed problem with the bypass. Please contact the Service Dept.  |
| A054 | FAN FAILURE                      | Fan Failure can generate overheating. Please contact the Service Dept.   |
| A055 | ACS ALARM                        | Communication between ACS and Inverter is lost.  |
| A056 | MAINTENANCE BYPASS ALARM         | Output and Maintenance ByPass switches are closed at the same time.  |
| A057 | INTERNAL BACKFEED DETECTION      | There is a backfeed problem with the rectifier. Please contact the Service Dept.   |
| A059 | UPS POWER OFF                    | The UPO emergency input on ADC+SL has been activated.  |
| A060 | WRONG CONFIGURATION              | UPS is not configured properly. Please check the configurations or contact the Service Dept.                             |
| A061 | INTERNAL / COMMUNICATION FAILURE | The internal communication between UPS sub-system is lost. Please contact the Service Dept.                              |
| A062 | OPTION BOARD ALARM               | There is a communication problem with the option board. Please contact the Service Dept.                                 |
| A063 | SPARE PARTS NOT COMPATIBLE       | Please contact the Service Dept.   |

## 12.2 System status

|      |                                    |  |
|------|------------------------------------|--|
| S002 | LOAD SUPPLIED BY AUTOMATIC BYPASS  | Load on bypass, supplied by auxiliary mains. Load not protected. |
| S018 | EXTERNAL MAINTENANCE BYPASS CLOSED | External maintenance bypass input is closed.                     |
| S023 | GEN SET ON                         | Genset input. Verify input from ADC+SL.                          |
| S064 | CARD IN SLOT 1 PRESENT             |  |
| S065 | CARD IN SLOT 2 PRESENT             |  |
| S068 | CARD IN SLOT 3 PRESENT             |  |



# 13. PREVENTIVE MAINTENANCE

|   |  |
|---|--|
|  | <b>NOTE:</b> before carrying out any operations on the unit read the 'Safety standards' chapter carefully.           |
|  | <b>NOTE:</b> any work carried out on the equipment must be performed by qualified technicians authorised by SOCOMEC. |

Routine maintenance carried out annually is recommended in order to provide optimum operating efficiency and avoid equipment downtime.

Maintenance consists of thorough functionality checks on:

- electronic and mechanical parts;
- dust removal;
- battery inspection;
- software updating;
- environmental checks.




## 13.1 Batteries

The condition of the battery is fundamental to UPS operation.

During the operating lifetime of the battery, the UPS stores statistics on the conditions of use of the battery for analysis.

Expected battery lifetime is very much dependent on operating conditions:

- number of charging and discharging cycles;
- load rate;
- temperature.

|   |   |
|---|---|
|  | <b>NOTE:</b> batteries must only be replaced with batteries recommended or sold by the manufacturer. Batteries must only be replaced by qualified technicians.    |
|  | <b>BEWARE:</b> used batteries contain harmful substances. Do not open the plastic cover!  |
|  | <b>NOTE:</b> used batteries must be placed in appropriate containers to avoid acid leakage. They should only be entrusted to a specialist waste disposal company. |

## 13.2 Fans & capacitors

The lifespan of consumable parts such as fans and capacitors (AC and DC) depends on whether or not the use and environmental conditions (premises, usage or load type) are abnormal or harsh for the equipment.

It is advisable to replace consumables as follows<sup>(1)</sup>:

| Consumable part     | Years |
|---------------------|-------|
| Fan                 | 5     |
| AC and DC capacitor | 7     |

1. Based on operation of the unit according to the manufacturer's specification.

# 14. SAFEGUARDING THE ENVIRONMENT

Do not dispose of electrical appliances with normal waste, use separate collection facilities.

Follow local council waste regulations for proper disposal arrangements to reduce the environmental impact of waste electrical and electronic equipment or contact your local government for information regarding the collection arrangements available.

If electrical appliances are disposed of in landfills or dumps, hazardous substances can leak into the groundwater and get into the food chain, damaging health and wellbeing. Depleted batteries are considered as toxic waste. When battery replacement becomes necessary, only give rundown batteries to certified and licensed waste disposal companies. In accordance with local legislation, it is prohibited to dispose of batteries together with other industrial waste or household refuse.



The crossed-out trash bin symbol is placed on this product to encourage users to recycle components and units whenever possible. Please be environmentally responsible and recycle this product through your recycling facility at the end of its lifetime.



For any questions regarding the disposal of the product, contact local distributors or retailers.



In case of product with incorporated battery, please use the proper recycling.

# 15. TECHNICAL SPECIFICATIONS

| Models   |                   | MASTERY'S GP4   |        |         |         |         |     |
|--|-------------------|---|--------|---------|---------|---------|-----|
|  |                   | 60 kVA  | 80 kVA | 100 kVA | 120 kVA | 160 kVA |     |
| Input/Output phases  | kVA               | 3/3   |        |         |         |         |     |
| <b>Electrical specifications - Input</b>                           |                   |   |        |         |         |         |     |
| Mains voltage  | Vin               | 3ph + N 400 Vac (-15/+20%) up to -40% @ 70% of nominal load   |        |         |         |         |     |
| Input frequency  | Hz                | 40 - 70   |        |         |         |         |     |
| Input power factor   |                   | ≥ 0.99  |        |         |         |         |     |
| Current distortion (THDi)  |                   | ≤ 2% (@: Pn, Resistive load, Mains THDv ≤ 1%)   |        |         |         |         |     |
| <b>Electrical specifications - External battery</b>                |                   |   |        |         |         |         |     |
| Battery voltage range  | V bat             | from ±160V <sup>(3)</sup> to ±260V <sup>(4)</sup> (from 16+16 to 19+19 battery blocks)<br>from ±200V <sup>(5)</sup> to 340V <sup>(6)</sup> (from 20+20 to 24+24 battery blocks) |        |         |         |         |     |
| <b>Electrical specifications - Output</b>                          |                   |   |        |         |         |         |     |
| Output voltage   | V                 | 3Ph+N 380/400/415 V ±1% <sup>(1)</sup>  |        |         |         |         |     |
| Output frequency   | Hz                | 50-60 Hz (selectable) ±0.01%  |        |         |         |         |     |
| Sn - Nominal apparent power  | kVA               | 60  | 80     | 100     | 120     | 160     |     |
| Pn - Nominal active power  | kW                | 60  | 80     | 100     | 120     | 160     |     |
| Overload<br>(@ 25 °C; Vin > 380) <sup>(2)</sup>                    | 10 minutes        | kW  | 75     | 100     | 125     | 150     | 200 |
|  | 1 minute          |   | 90     | 120     | 150     | 180     | 240 |
| Crest factor   |                   | ≥ 2.7   |        |         |         |         |     |
| Voltage distortion (THDv)  |                   | ≤ 1% (@: Pn, Resistive load)  |        |         |         |         |     |
|  |                   | ≤ 5% (@: Sn, non-linear load)   |        |         |         |         |     |
| <b>Electrical specifications - Bypass</b>                          |                   |   |        |         |         |         |     |
| Bypass input voltage   | V                 | Nominal output voltage ±15% (±20% if GENSET is used)  |        |         |         |         |     |
| Bypass input frequency   | Hz                | 50-60 ±2% selectable (±8% if GENSET is used)  |        |         |         |         |     |
| <b>Environment</b>   |                   |   |        |         |         |         |     |
| Operating temperature  | °C                | 0-40 (15-25 recommended)  |        |         |         |         |     |
| Storage temperature  | °C                | -5 to 50  |        |         |         |         |     |
| Relative humidity  | %                 | up to 95% (condensation-free)   |        |         |         |         |     |
| Max. altitude  | m                 | 1000 (without derating)   |        |         |         |         |     |
| Acoustic noise (@ 70% Pn)<br><i>Models with external batteries</i> | dBA               | < 53  |        | < 55    |         | < 57    |     |
| Acoustic noise (@ 70% Pn)<br><i>Models with internal batteries</i> | dBA               | < 55  |        |         |         |         |     |
| Cooling type   |                   | Air cooling   |        |         |         |         |     |
| Required cooling capacity  | m <sup>3</sup> /h | 480   | 720    | 840     | 1080    | 1440    |     |
| Dissipated power max at Pn<br>nominal condition                    | W                 | 2880  | 3950   | 4800    | 5940    | 8000    |     |
|  | BTU/h             | 9833  | 13486  | 16388   | 20280   | 27297   |     |
| Dissipated power max at Pn<br>worst condition                      | W                 | 3360  | 4630   | 5500    | 6560    | 9350    |     |
|  | BTU/h             | 11471   | 15807  | 18778   | 22397   | 31904   |     |
| <b>Standards</b>   |                   |   |        |         |         |         |     |
| Safety   |                   | EN/IEC 62040-1, AS 62040-1  |        |         |         |         |     |
| Type and performance   |                   | EN/IEC 62040-3, AS 62040-3  |        |         |         |         |     |
| EMC  |                   | EN/IEC 62040-2, AS 62040-2  |        |         |         |         |     |
| Product certification  |                   | IECEE CB Scheme   |        |         |         |         |     |
| Product marks  |                   | CE - RCM <sup>(7)</sup> - EAC <sup>(7)</sup> - CMIM <sup>(7)</sup> - UKCA <sup>(7)</sup>  |        |         |         |         |     |
| Protective class   |                   | Protective Class I  |        |         |         |         |     |
| Touch current  |                   | < 1 mA  |        |         |         |         |     |
| Protection level   |                   | IP20; IP21 (option)   |        |         |         |         |     |

| Models  |        |    | MASTERYS GP4 |        |         |         |         |
|---|--------|----|--------------|--------|---------|---------|---------|
|   |        |    | 60 kVA       | 80 kVA | 100 kVA | 120 kVA | 160 kVA |
| <b>Mechanical characteristics</b>                   |        |    |              |        |         |         |         |
| Colour  |        |    | RAL 7016     |        |         |         |         |
| Dimensions<br><i>Models with external batteries</i> | Width  | mm | 600          |        |         |         |         |
|   | Depth  | mm | 855          |        |         |         |         |
|   | Height | mm | 1400         |        |         | 1930    |         |
| Weight  |        | kg | 174          | 186    | 228     | 240     | 338     |
| Dimensions<br><i>Models with internal batteries</i> | Width  | mm | 600          |        |         |         |         |
|   | Depth  | mm | 855          |        |         |         |         |
|   | Height | mm | 1930         |        |         |         |         |
| Weight  |        | kg | 680 ÷ 820    |        |         |         |         |

1. 360 V with  $P_{out} = 90\% P_n$ .
2. Initial Condition  $P_{out} \leq 80\% P_n$ .
3. @Battery Full Discharged. Conditions apply. Call SOCOMEC support service.
4. @Battery Full Charged. Conditions apply. Call SOCOMEC support service.
5. @Battery Full Discharged. Call SOCOMEC support service.
6. @Battery Full Charged. Call SOCOMEC support service.
7. Depends on the production site. Consult the data plate on the equipment.



# Socomec: our innovations supporting your energy performance

**1** independent manufacturer

**3,900** employees  
worldwide

**8** % of sales revenue  
dedicated to R&D

**400** experts  
dedicated to service provision

## Your power management expert



POWER  
SWITCHING



POWER  
MONITORING



POWER  
CONVERSION



ENERGY  
STORAGE



EXPERT  
SERVICES

## The specialist for critical applications

- Control, command of LV facilities
- Safety of persons and assets
- Measurement of electrical parameters
- Energy management
- Energy quality
- Energy availability
- Energy storage
- Prevention and repairs
- Measurement and analysis
- Optimisation
- Consultancy, commissioning and training

## A worldwide presence

**12** production sites

- France (x3)
- Italy (x2)
- Tunisia
- India
- China (x2)
- USA (x2)
- Canada

**30** subsidiaries and commercial locations

- Algeria • Australia • Austria • Belgium • China
- Canada • Dubai (United Arab Emirates) • France
- Germany • India • Indonesia • Italy • Ivory Coast
- Netherlands • Poland • Portugal • Romania • Serbia
- Singapore • Slovenia • South Africa • Spain • Sweden
- Switzerland • Thailand • Tunisia • Turkey • UK • USA

**80** countries

where our brand is distributed



Sales offices



552174B - EN 07.2023

### HEAD OFFICE

#### SOCOMECC GROUP

SAS SOCOMECC capital 10 582 640 €  
R.C.S. Strasbourg B 548 500 149  
B.P. 60010 - 1, rue de Westhouse  
F-67235 Benfeld Cedex  
Tel. +33 3 88 57 41 41 - Fax +33 3 88 57 78 78  
info.scp.isd@socomecc.com

[www.socomecc.com](http://www.socomecc.com)



### YOUR DISTRIBUTOR / PARTNER

**100** years  
OF SHARED ENERGY

**socomecc**  
Innovative Power Solutions