

Automatic transfer switch without interruption from 40 to 3200 A

ATyS Bypass



When **energy** matters

Ensures availability of the electrical power supply under all circumstances

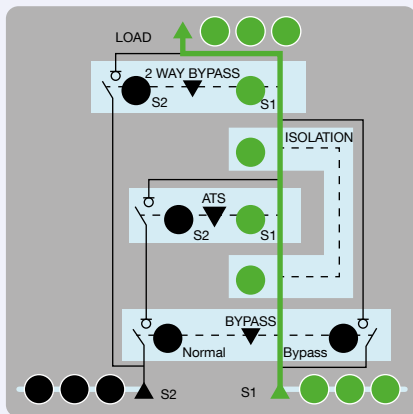
With the quality and availability of the power supply becoming ever more critical, any interruption of the supply can cause heavy financial losses and pose a risk to the safety of people. Socomec, specialist in switching systems and solutions, has designed the **ATyS** transfer switches, with one priority objective in mind: **to ensure the supply of loads by transferring from one source to another.**

The **ATyS Bypass** range is the ultimate solution for power availability, allowing **ATyS** products to be maintained, inspected and tested without load disruption. Whether it is a regulatory requirement or an opportunity to improve power transfer switches continuity, the **ATyS Bypass** will respond with reliability and robustness.

Functions

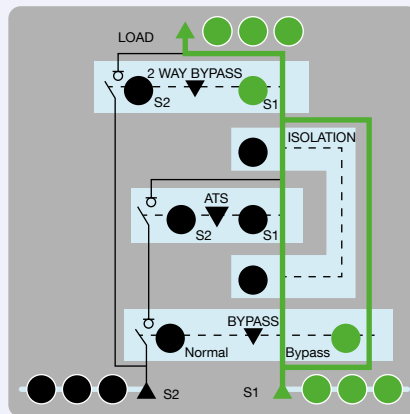
Normal mode

All sources transfer features are performed by the Automatic Transfer Switch (ATS). Bypass switches are not in use.



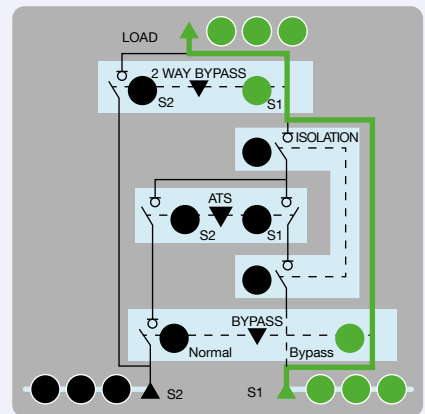
Bypass mode

The power supply is derived to the load without interruption. The load is supplied from source 1 or source 2 through the ATS or the manual changeover switch.



Test mode

The load is not supplied via the ATS but through the bypass power line. The ATS is isolated and can be safely tested and maintained without any disturbance to the load. The load is supplied by source 1 or source 2 through the manual changeover switch.



Power availability for life safety systems in high-rise buildings

In high-rise buildings, life safety systems must always be operational to ensure the safety of the occupants. Smoke extraction, fire extinguishing, pressurisation, emergency lifts, emergency lighting and other systems allow safe evacuation of the building in the event of a fire or other dangerous event. It is the responsibility of the building engineers and consultants to ensure that the electrical installation complies with the applicable regulatory requirements.

The ATyS Bypass is a certified solution

Zero downtime
during maintenance

IEC 61439-2 assembly
IEC 60947-6-1 ATS

Robust
in harsh conditions



ATyS Bypass solution

The ultimate transfer switching equipment

ATyS Bypass ensure automatic switching to the available source in case of power failure. This allow continuity of power supply, human safety and critical loads such as sprinklers, lifts, water pumps, etc. In addition, they ensure continuity of service during inspection, maintenance and testing operations, as well as complete isolation of the automatic transfer switches for safe intervention without load interruption.



LOVAG
Certifié par une tierce partie



Bypass - no outage

In addition to its primary switching operation function, the ATyS Bypass devices can be used to fully isolate the ATS and ensure service continuity during inspection, maintenance and testing operations, without load outage, in fully safe conditions.



100% manufacturer certified solution

ATyS Bypass is a reliable and safe solution certified by independent third party LOVAG / ASEFA in accordance with standard IEC 61439-2.

The Socomec products used in it are recognised for their robustness and performance in line with standards IEC 60947-3 and IEC 60947-6-1.



Customised solution

ATyS enclosures can be adapted in line with your specifications. There are a wide range of options available to meet different needs (connection type, tin-plated bars, monitoring mimic panel, measurements, etc.).



24/7 monitoring

The Solive* application is available with this solution and allows users to monitor their equipment in real time and schedule maintenance. This application automatically shows the latest status of all your equipment, displays alarms, and sends real-time notifications of unscheduled events.

* Option.

A switching concept

modular and connected

Options and accessories (other customizations on request, please consult us for project mode):

Installation	Protection	Monitoring
<p>Cable entry</p> <p>Ensures an easy connection by customising the cable entry, connection accessories and markings.</p> 	<p>IP54 reinforced enclosure (>1250 A)</p> <p>Improves the cabinet's resistance to dust and water splashes.</p> <p style="font-size: 2em; text-align: center;">IP54</p>	<p>24/7 remote monitoring (SoLive mobile application)</p> <p>Remotely indicates the status of equipment and notifies system alarms.</p>    <p style="text-align: right; font-weight: bold;">Remote</p>
<p>Pedestal</p> <p>Facilitates the routing and connection cables from below.</p> 	<p>Surge protection (SURGYS)</p> <p>Ensures the protection of equipment against overvoltages.</p> 	<p>Load measurement (DIRIS)</p> <p>Displays locally the essential electrical measurements.</p>  <p style="text-align: right; font-weight: bold;">Local</p>
<p>Extension cabinet (> 250 A)</p> <p>Enables customised management of the connection.</p> 	<p>Heating resistor</p> <p>Protects components from humid environments.</p> 	<p>Synoptic signalling</p> <p>Provides a better visualisation of the operation and status of the system via a lighted synoptic.</p> 
	<p>Tinned busbar (from 250 A)</p> <p>Improves oxidation resistance.</p>	<p>Additional auxiliary position contacts</p> <p>Multiplies the ATS position information outputs of information outputs.</p>

A complete range of ATyS enclosures

dedicated to the bypass function

Architecture

	SINGLE LINE				DOUBLE LINE			
Range from 40 to 3200 A								
	Functions	Qties	40 to 125 A	160 to 3200 A	Functions	Qties	40 to 125 A	160 to 3200 A
Switching equipments	A ATSE Automatic Transfer Switch	1	ATYS PM 001 B	ATYS P 001 B	A ATSE Automatic Transfer Switch	1	ATYS PM 001 B	ATYS P 001 B
	B LBS Load Break Switch	1	SIRCM 191 A	SVR 099 B	B LBS Load Break Switch	1	SIRCM 191 A	SVR 099 B
	C MTS Manual Transfer Switch	1	SIRCM 191 A	SVR 099 B	C MTS Manual Transfer Switch	2	SIRCM 191 A	SVR 099 B

References

Product
178: ATyS Bypass

178 6 4 063

Type
5: Single line
6: Double line

Number of poles
4: 4 poles

Rating

004: 40 A	063: 630 A
006: 63 A	080: 800 A
008: 80 A	100: 1000 A
010: 100 A	125: 1250 A
012: 125 A	160: 1600 A
016: 160 A	200: 2000 A
025: 250 A	250: 2500 A
040: 400 A	320: 3200 A

Socomec: our innovations supporting your energy performance

1 independent manufacturer

3,900 employees worldwide

8 % of sales revenue dedicated to R&D

400 experts dedicated to service provision

Your power management expert



POWER SWITCHING



POWER MONITORING



POWER CONVERSION



ENERGY STORAGE



EXPERT SERVICES

The specialist for critical applications

- Control, command of LV facilities
- Safety of persons and assets
- Measurement of electrical parameters
- Energy management
- Energy quality
- Energy availability
- Energy storage
- Prevention and repairs
- Measurement and analysis
- Optimisation
- Consultancy, commissioning and training

A worldwide presence

12 production sites

- France (x3)
- Italy (x2)
- Tunisia
- India
- China (x2)
- USA (x2)
- Canada

30 subsidiaries and commercial locations

- Algeria • Australia • Austria • Belgium • China
- Canada • Dubai (United Arab Emirates) • France
- Germany • India • Indonesia • Italy • Ivory Coast
- Netherlands • Poland • Portugal • Romania • Serbia
- Singapore • Slovenia • South Africa • Spain • Sweden
- Switzerland • Thailand • Tunisia • Turkey • UK • USA

80 countries

where our brand is distributed

HEAD OFFICE

SOCOMEK GROUP

SAS SOCOMEC capital 10 607 040 €
R.C.S. Strasbourg B 548 500 149
B.P. 60010 - 1, rue de Westhouse
F-67235 Benfeld Cedex
Tel. +33 3 88 57 41 41 - Fax +33 3 88 57 78 78
info.scp.isd@socomec.com

YOUR DISTRIBUTOR / PARTNER

www.socomec.com



100 years
OF SHARED ENERGY

socomec
Innovative Power Solutions