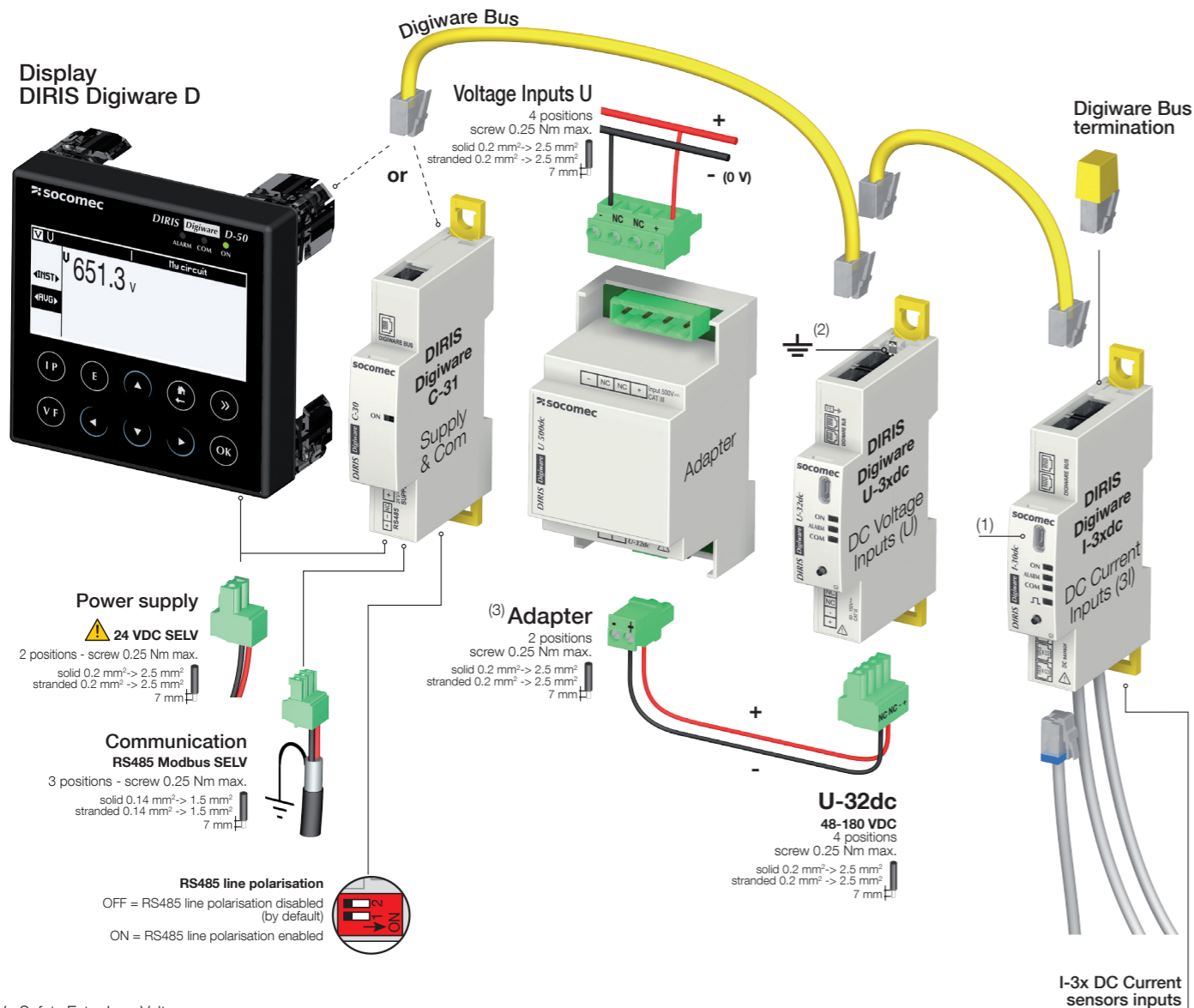


3 With voltage adapter from 200 to 1500 VDC+10%

⚠ The U500dc, U1000dc, U1500dc voltage adapters must be connected only to a U-32dc module.

⚠ Only use Socomec RJ45 Digiware Bus cables.

⚠ Do not connect RJ12 sensor cable to RJ45 Digiware Bus connector to avoid any risk of mechanical damage of this connector.



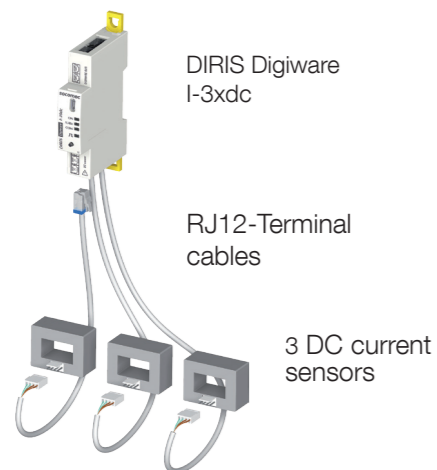
SELV : Safety Extra Low Voltage

(1) Micro USB type B

(2) Earth should not be wired in unearthed systems

(3) Adapter : U500dc, U1000dc ou U1500dc

4 Current sensors



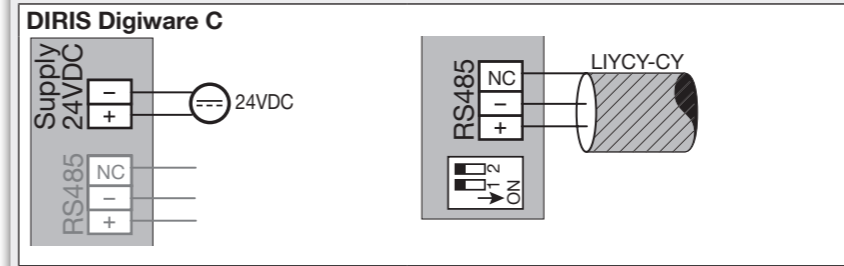
DC sensors type:

- Open loop Hall effect
- Supply: ± 15 V; ± 25 mA
- Output voltage: ± 4 V
- Molex 4-point male terminal

- Only use Socomec RJ12-Terminal cables.
- It is recommended to mount all the current sensors with the same orientation.
- Always start with current sensor input 1.

5 Supply

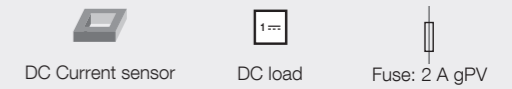
Communication



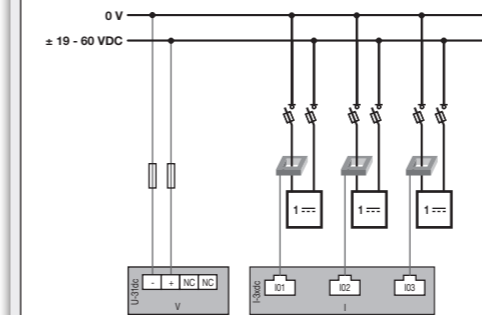
6 Main network connections and loads

DIRIS Digiware I-3xdc

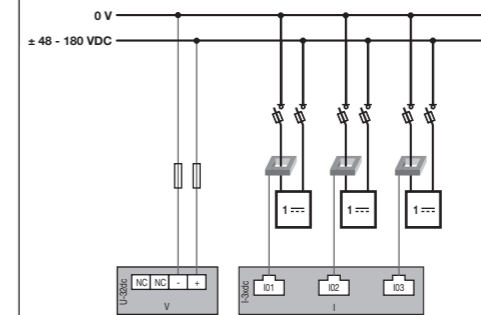
Each current input setting is individual, see below some examples:



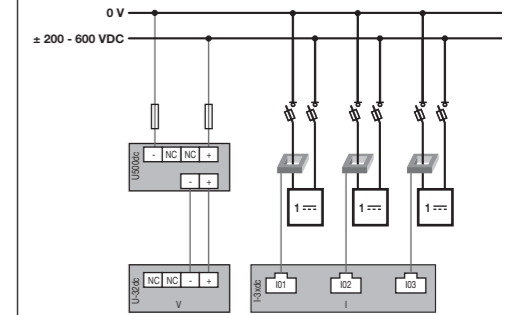
3 DC loads U-31dc: 19.2 - 60 V



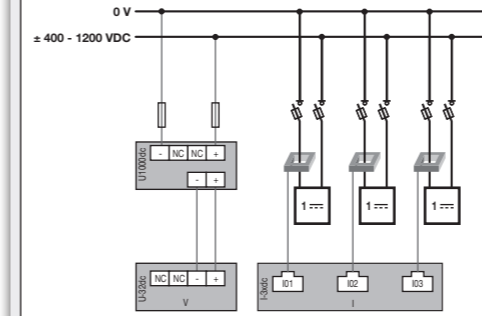
3 DC loads U-32dc: 48 - 180 V



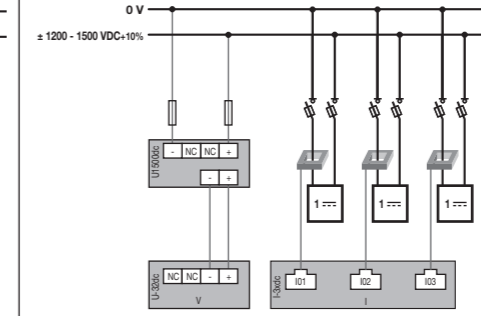
3 DC loads U-32dc + adapter U500dc: 200 - 600 V



3 DC loads U-32dc + adapter U1000dc: 400 - 1200 V



3 DC loads U-32dc + adapter U1500dc: 1200 - 1500 V+10%



7 Configuration

Easy Config Software

